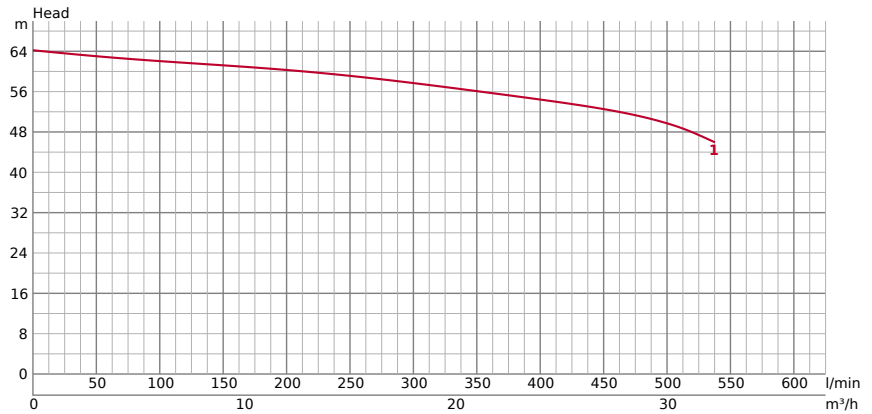


50GP211 -B222



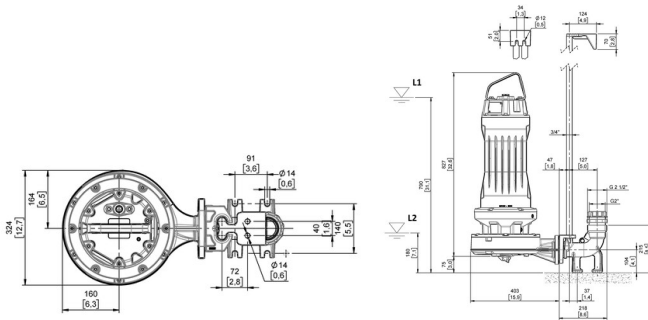
TECHNICAL INFORMATION

| | | | | | |
|----------------|-----------------------------|-----------------------|----------------------------|----------------------|--------|
| GENERAL | Ø Discharge bore mm | 50 | PUMPING FLUID | Type of Fluid | Sewage |
| | Discharge Connection | Inside thread, flange | | Temperature | 0-40°C |
| | | | Max. PH Value | 6-14 | |
| | | | Max. Capacity l/min | 538 | |
| | | | Max. Head m | 63.2 | |

| | | | | |
|-------------|------------------------|----------------------------------|------------------------|------------------------------------|
| PUMP | COMPONENTS | | MATERIAL | |
| | Impeller | Grinder mechanism | Impeller | Grey iron casting EN-GJL-250 |
| | Mechanical Seal | Dual mechanical seal in oil bath | Casing | Grey iron casting EN-GJL-250 |
| | | | Suction Plate | Chromium steel - X102 CrMo17 KU |
| | | | Pump Body | Grey iron casting EN-GJL-250 |
| | | | Mechanical Seal | Silicon Carbide |

TECHNICAL INFORMATION | Motor, Others on the next page →

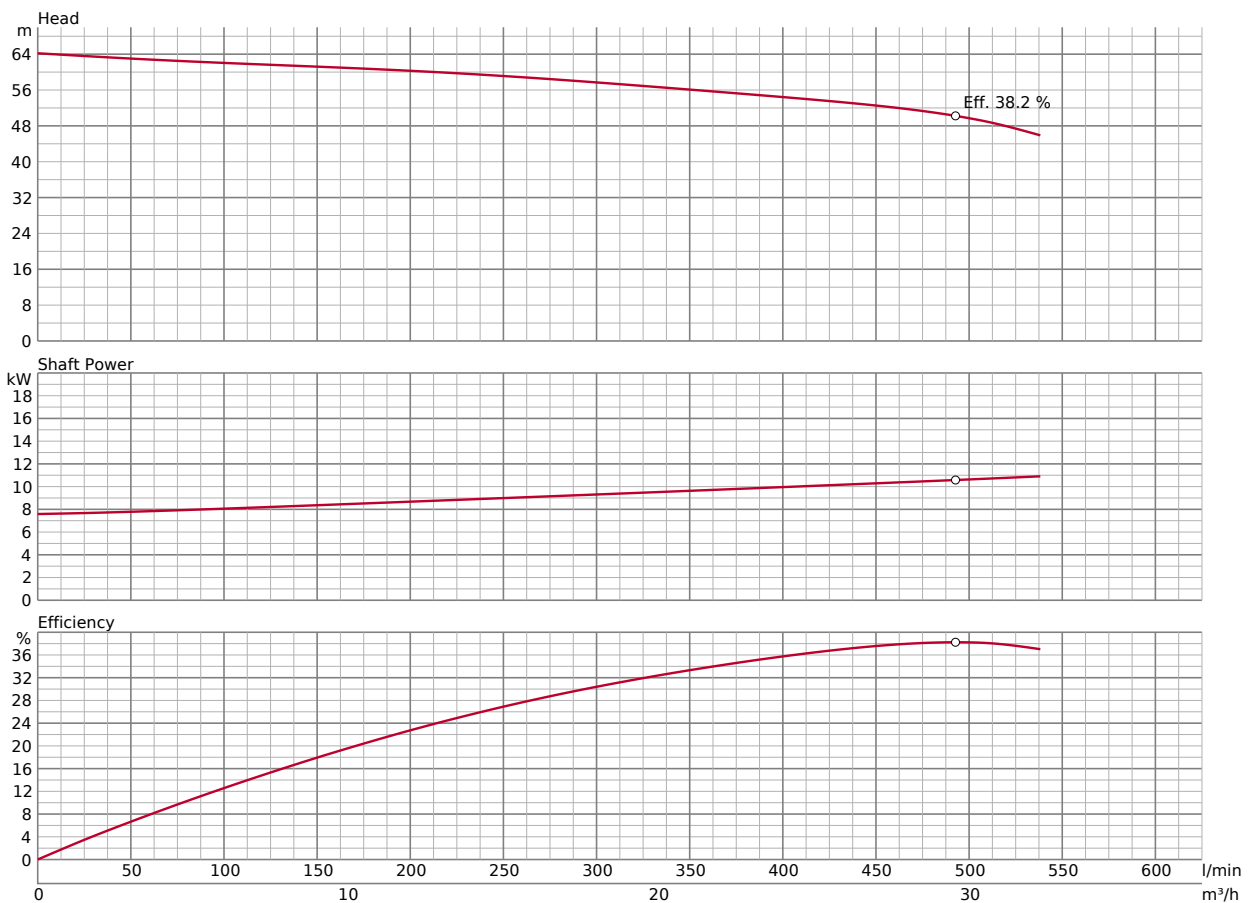
DIMENSIONS | GUIDE RAIL FITTING TYPE



DIMENSIONS | GUIDE RAIL FITTING TYPE - IN MM

A 0

PERFORMANCE CURVE



Please mind: discharge bend, duck foot bend and stand set are accessories and must be ordered separately