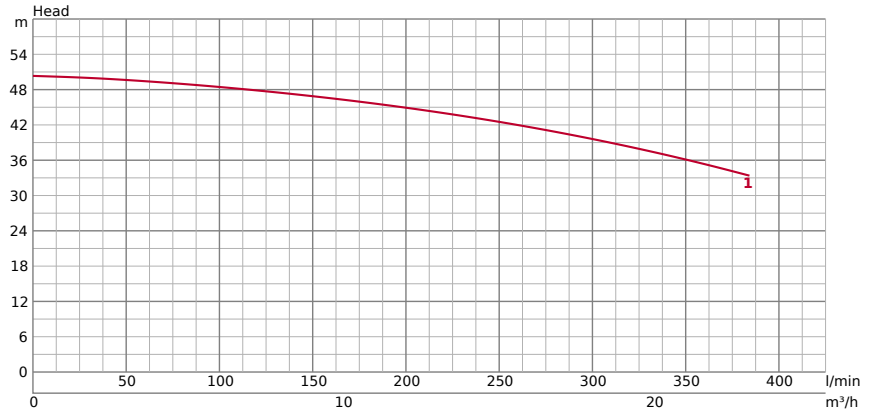


50GP27.5 -A190



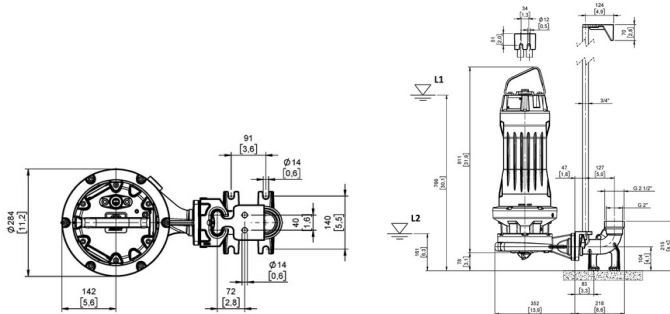
TECHNICAL INFORMATION

GENERAL	Ø Discharge bore mm	50	PUMPING FLUID	Type of Fluid	Sewage
	Discharge Connection	Inside thread, flange		Temperature	0-40°C
			Max. PH Value	6-14	
			Max. Capacity l/min	385	
			Max. Head m	50	

PUMP	COMPONENTS		MATERIAL	
	Impeller	Grinder mechanism	Impeller	Grey iron casting EN-GJL-250
	Mechanical Seal	Dual mechanical seal in oil bath	Casing	Grey iron casting EN-GJL-250
			Suction Plate	Chromium steel - X102 CrMo17 KU
			Pump Body	Grey iron casting EN-GJL-250
			Mechanical Seal	Silicon Carbide

TECHNICAL INFORMATION | Motor, Others on the next page →

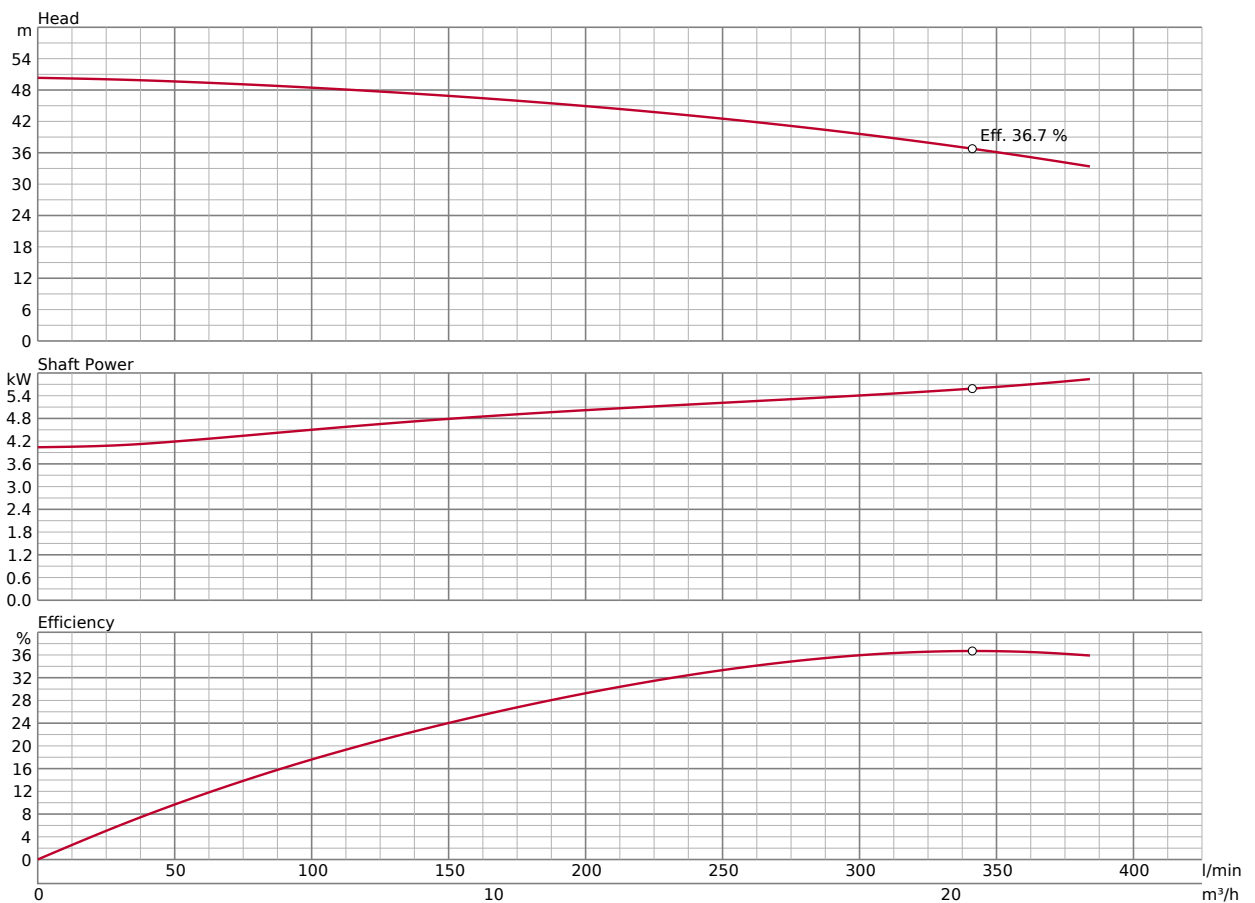
DIMENSIONS | GUIDE RAIL FITTING TYPE



DIMENSIONS | GUIDE RAIL FITTING TYPE - IN MM

A 0

PERFORMANCE CURVE



Please mind: discharge bend, duck foot bend and stand set are accessories and must be ordered separately