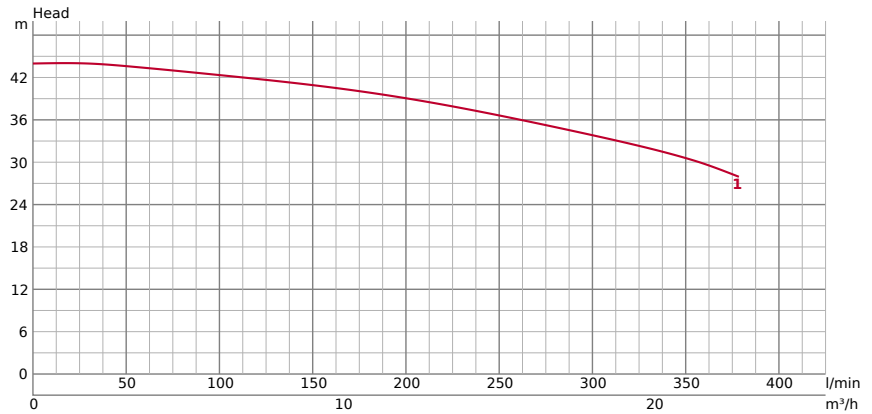


50GP25.5 -A180



TECHNICAL INFORMATION

GENERAL	∅ Discharge bore mm	50	PUMPING FLUID	Type of Fluid	Sewage
	Discharge Connection	Inside thread, flange		Temperature	0-40°C
			Max. PH Value	6-14	
			Max. Capacity l/min	378	
			Max. Head m	43.8	

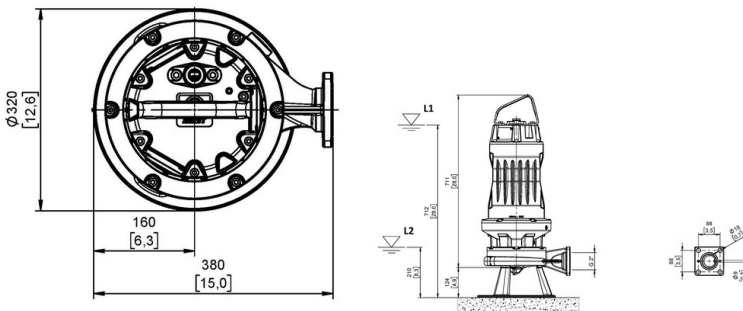
PUMP	COMPONENTS		MATERIAL	
	Impeller	Grinder mechanism	Impeller	Grey iron casting EN-GJL-250
	Mechanical Seal	Dual mechanical seal in oil bath	Casing	Grey iron casting EN-GJL-250
			Suction Plate	Chromium steel - X102 CrMo17 KU
			Pump Body	Grey iron casting EN-GJL-250
			Mechanical Seal	Silicon Carbide

TECHNICAL INFORMATION | Motor, Others on the next page →

MOTOR	Motor output kW	5,5	MATERIAL	
	Starting method	direct online	Shaft	AISI 431
	Type, Poles	Induction motor, 2 poles, IP68	Cable	S1RN8F 4G2.5 + 3x1
	Insulation	Insulation class H	Cable Length	10m
	Phase / Voltage	3-phase / 400V / 50Hz		
	r.p.m.	2908		
	Motor Protector (built-in)	bimetal thermal protectors (Klixon) in series		
	Monitoring	double leakage sensor (mechanical seals chamber and stator housing) 1 signal		
Rated Current	10.2			

OTHERS	Dry Weight Kg	118
--------	---------------	-----

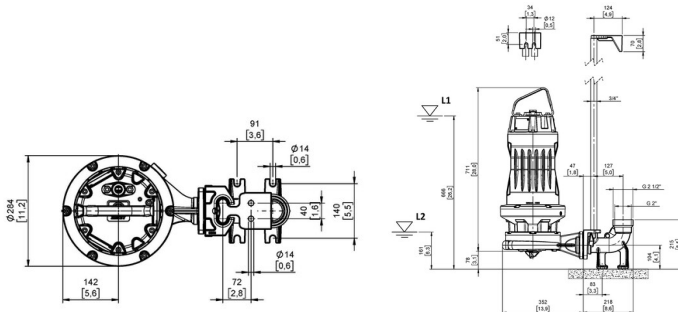
DIMENSIONS



DIMENSIONS - IN MM

A	0
---	---

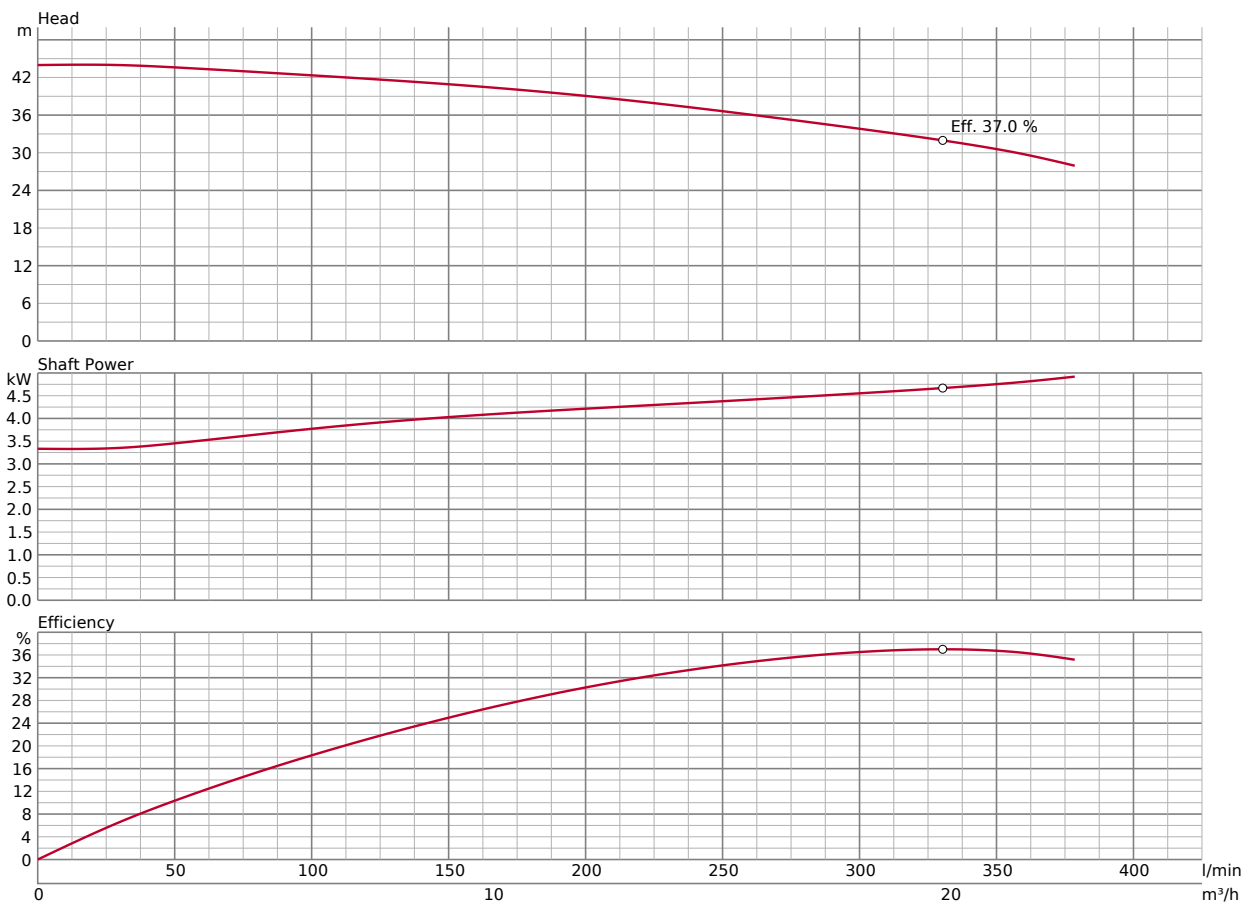
DIMENSIONS | GUIDE RAIL FITTING TYPE



DIMENSIONS | GUIDE RAIL FITTING TYPE - IN MM

A 0

PERFORMANCE CURVE



Please mind: discharge bend, duck foot bend and stand set are accessories and must be ordered separately