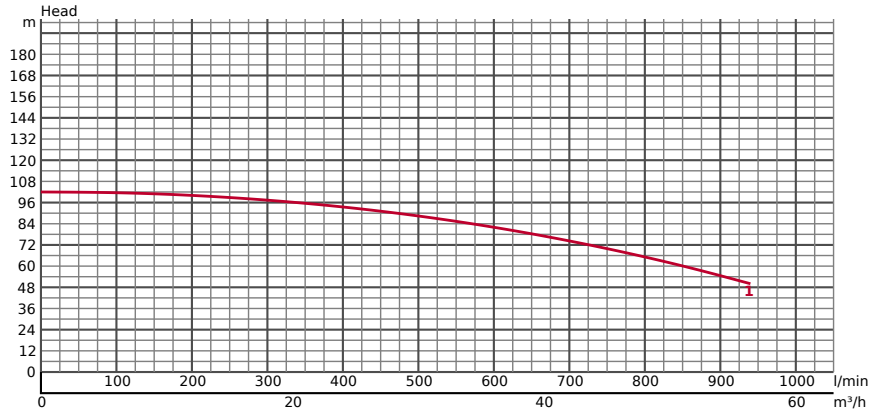


## LH322W-14



## TECHNICAL INFORMATION

GENERAL		PUMPING FLUID	
	ø Discharge bore mm	80	Type of Fluid
	Discharge Connection	JIS 20K Flange	Drainage
			Temperature
			0-40°C
			Max. Solid Handling mm
			8.50
			Max. dry matter %
			3-5
			Max. PH Value
			3-10
			Max. Capacity l/min
			940
			Max. Head m
			102

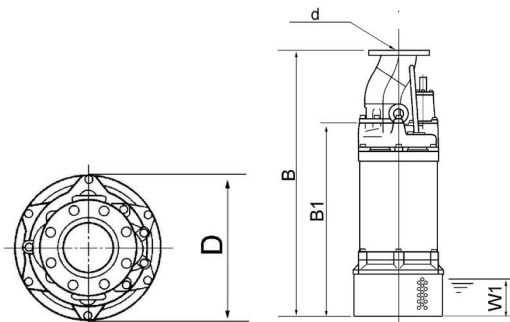
TECHNICAL INFORMATION | Pump, Motor, Others on the next page →

PUMP	COMPONENTS		MATERIAL	
	<b>Impeller</b>	Closed type impeller	<b>Impeller</b>	Stainless steel casting DIN G-X6CrNiMo1810
	<b>Bearings</b>	Shielded ball bearings	<b>Casing</b>	Stainless steel casting DIN G-X6CrNiMo1810
	<b>Mechanical Seal</b>	Dual mechanical seal in oil bath	<b>Suction Plate</b>	Stainless steel casting DIN G-X6CrNiMo1810
		<b>Pump Body</b>	Stainless steel EN-X5CrNiMo17-12-2	
		<b>Mechanical Seal</b>	Silicon Carbide	

MOTOR	MOTOR SPECIFICATIONS		MATERIAL	
	<b>Motor output kW</b>	22,0	<b>Frame</b>	Stainless steel casting DIN GX5CrNiMo19-11-2
	<b>Starting method</b>	direct online	<b>Shaft</b>	Stainless steel EN-X5CrNiMo17-12-2
	<b>Type, Poles</b>	Induction motor, 2 poles, IP68	<b>Cable</b>	NSSHÖU 4C*10mm <sup>2</sup> + 2*1,5ST
	<b>Insulation</b>	Insulation class F	<b>Cable Length</b>	20m
	<b>Phase / Voltage</b>	3-phase / 400V / 50Hz		
	<b>r.p.m.</b>	2930		
	<b>Motor Protector (built-in)</b>	Miniature protector		
<b>Rated Current</b>	41			

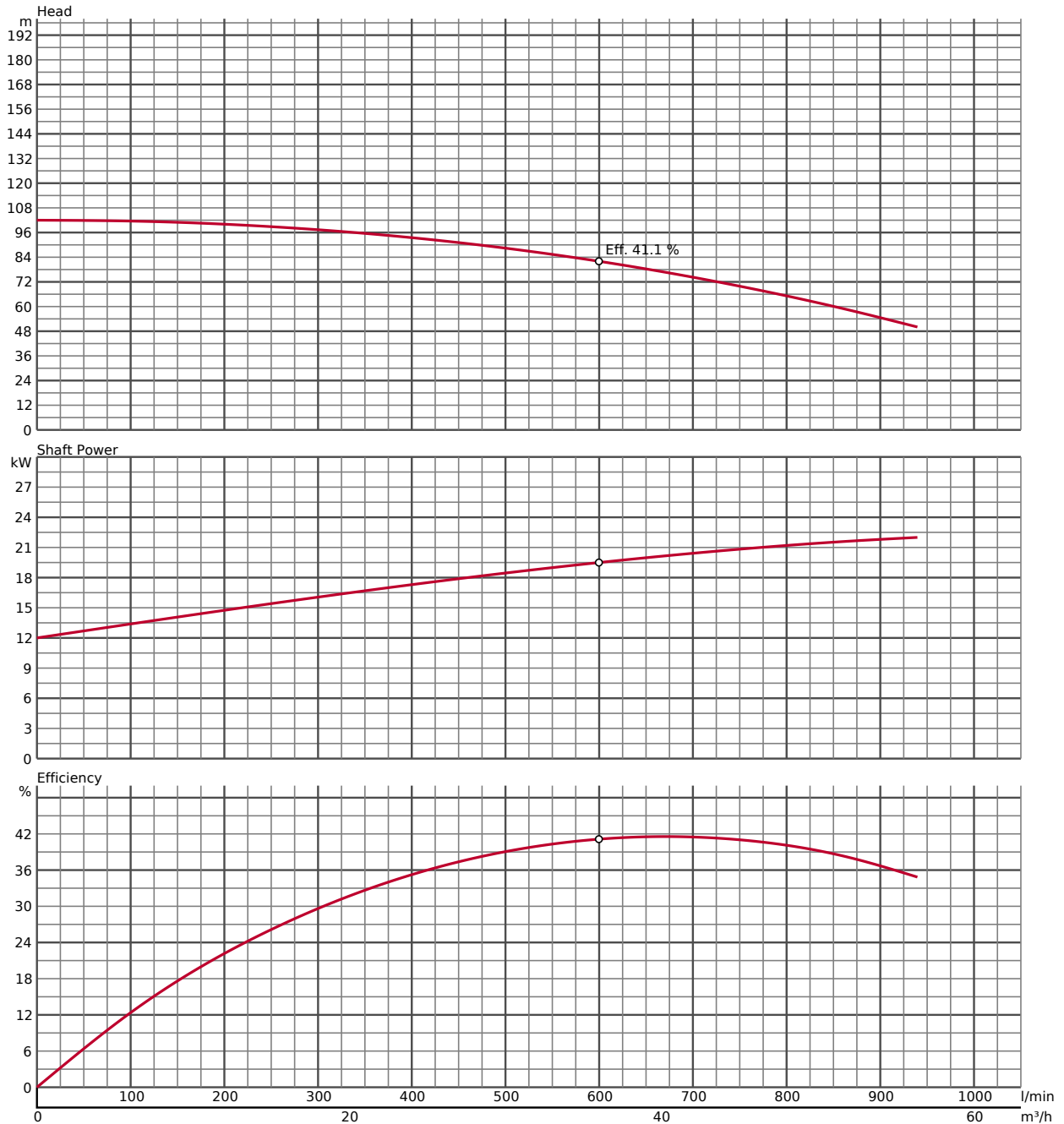
OTHERS	OTHERS	
	<b>Dry Weight Kg</b>	340
<b>Pressure Resistance</b>	max. 50m	

## DIMENSIONS



DIMENSIONS - IN MM					
<b>B</b>	1275	<b>D</b>	330	<b>W1</b>	300
<b>B1</b>	1018	<b>d</b>	80		

**PERFORMANCE CURVE**



In the event of abrasive and corrosive utilization, stronger wear and tear will take place naturally in certain components. In this regard, please pay attention to our website [www.tsurumi.eu/english/applications.htm](http://www.tsurumi.eu/english/applications.htm).