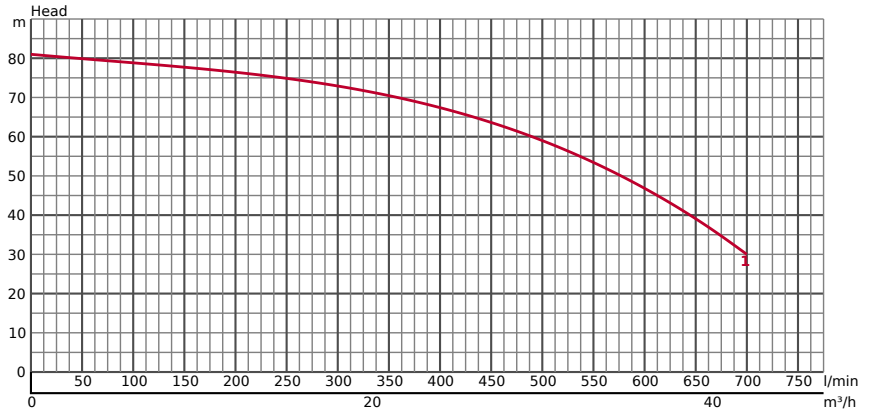


LH311W-14



TECHNICAL INFORMATION

GENERAL		PUMPING FLUID	
	∅ Discharge bore mm	80	Type of Fluid
	Discharge Connection	JIS 10K Flange	Drainage
			Temperature
			0-40°C
			Max. Solid Handling mm
			8.50
			Max. dry matter %
			3-5
			Max. PH Value
			3-10
			Max. Capacity l/min
			700
			Max. Head m
			81

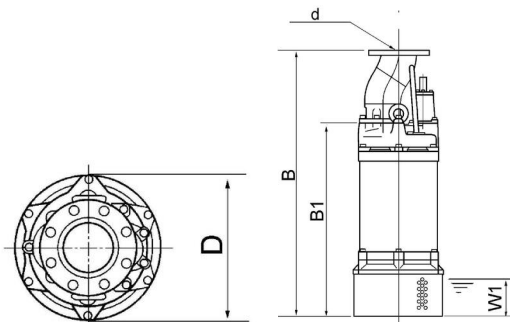
TECHNICAL INFORMATION | Pump, Motor, Others on the next page →

PUMP	COMPONENTS		MATERIAL	
	Impeller	Closed type impeller	Impeller	Stainless steel casting DIN G-X6CrNiMo1810
	Bearings	Shielded ball bearings	Casing	Stainless steel casting DIN G-X6CrNiMo1810
	Mechanical Seal	Dual mechanical seal in oil bath	Suction Plate	Stainless steel casting DIN G-X6CrNiMo1810
		Pump Body	Stainless steel EN-X5CrNiMo17-12-2	
		Mechanical Seal	Silicon Carbide	

MOTOR	MOTOR SPECIFICATIONS		MATERIAL	
	Motor output kW	11,0	Frame	Stainless steel casting DIN GX5CrNiMo19-11-2
	Starting method	direct online	Shaft	Stainless steel EN-X5CrNiMo17-12-2
	Type, Poles	Induction motor, 2 poles, IP68	Cable	NSSHÖU 4C*10mm ² + 2*1,5ST
	Insulation	Insulation class F	Cable Length	20m
	Phase / Voltage	3-phase / 400V / 50Hz		
	r.p.m.	2930		
	Motor Protector (built-in)	Miniature protector		
Rated Current	26			

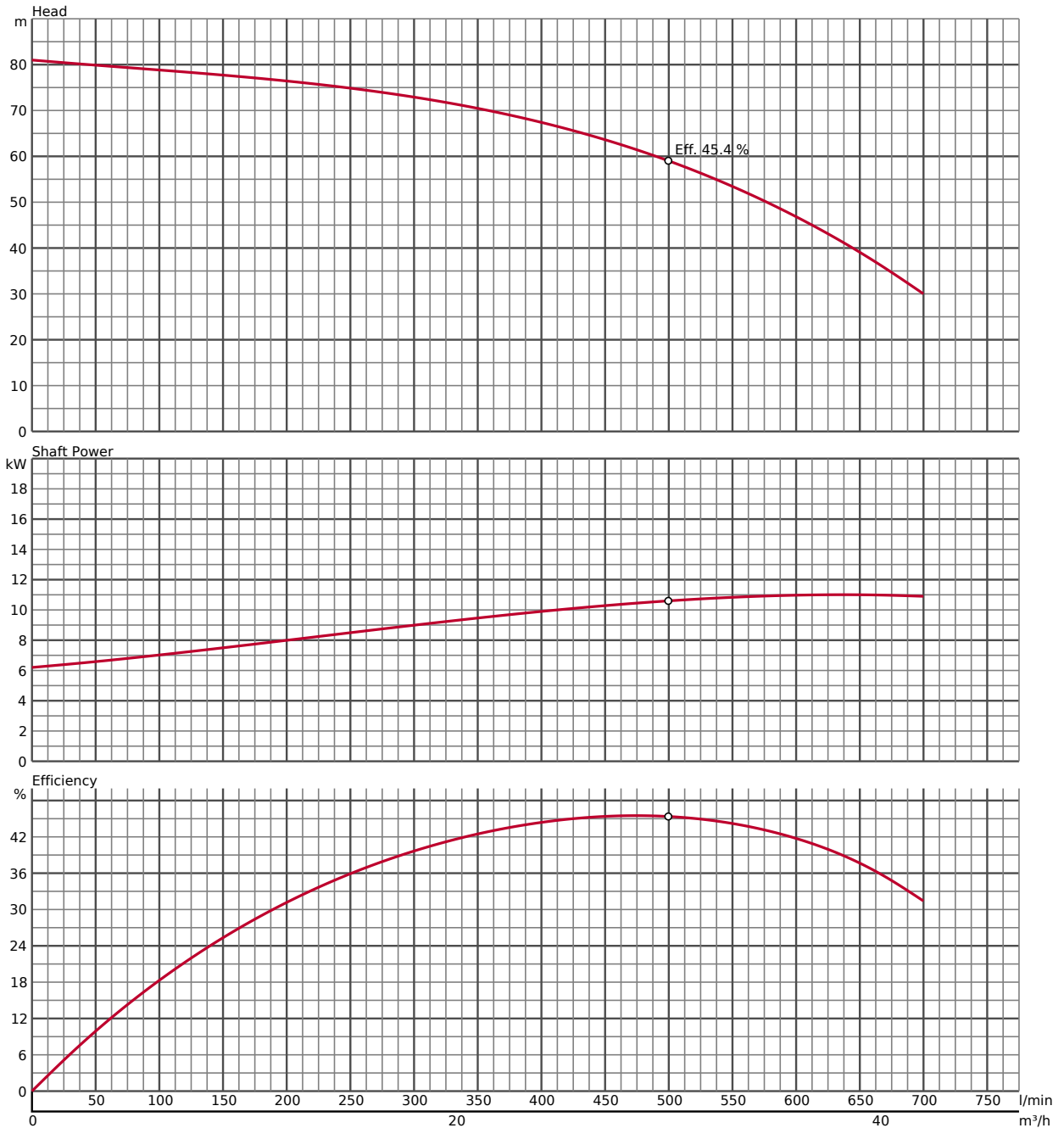
OTHERS	OTHERS	
	Dry Weight Kg	320
Pressure Resistance	max. 50m	

DIMENSIONS



DIMENSIONS - IN MM					
B	1184	D	330	W1	200
B1	927	d	80		

PERFORMANCE CURVE



In the event of abrasive and corrosive utilization, stronger wear and tear will take place naturally in certain components. In this regard, please pay attention to our website www.tsurumi.eu/english/applications.htm.