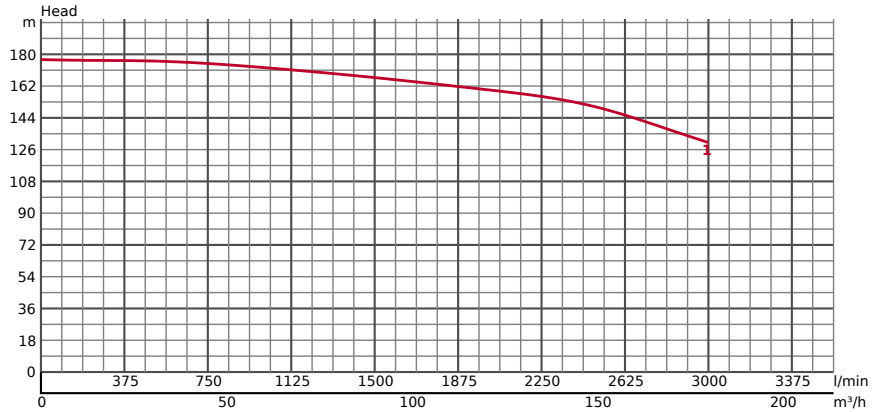


**LH6110-14**



**TECHNICAL INFORMATION**

GENERAL			PUMPING FLUID		
	∅ Discharge bore mm	150	Type of Fluid	Drainage	
	Discharge Connection	JIS 20K Flange	Temperature	0-40°C	
			Max. Solid Handling mm	10	
			Max. dry matter %	3-5	
			Max. PH Value	3-10	
			Max. Capacity l/min	3000	
			Max. Head m	177	

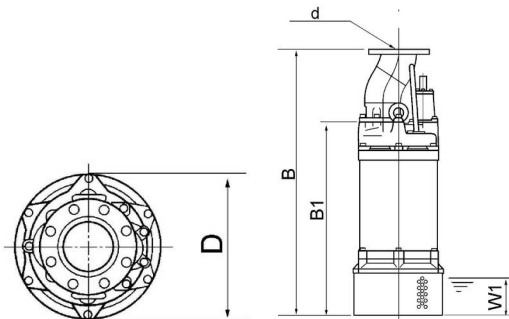
TECHNICAL INFORMATION | Pump, Motor, Others on the next page →

PUMP	COMPONENTS		MATERIAL	
	<b>Impeller</b>	Closed type impeller	<b>Impeller</b>	Stainless steel casting DIN G-X6CrNiMo1810
<b>Bearings</b>	Shielded ball bearings	<b>Casing</b>	Stainless steel casting DIN G-X6CrNiMo1810	
<b>Mechanical Seal</b>	Dual mechanical seal in oil bath	<b>Suction Plate</b>	Stainless steel casting DIN G-X6CrNiMo1810	
		<b>Pump Body</b>	Stainless steel EN-X5CrNiMo17-12-2	
		<b>Mechanical Seal</b>	Silicon Carbide	

MOTOR	MOTOR SPECIFICATIONS		MATERIAL	
	<b>Motor output kW</b>	110,0	<b>Frame</b>	Stainless steel casting DIN GX5CrNiMo19-11-2
<b>Starting method</b>	star/delta	<b>Shaft</b>	Stainless steel EN-X5CrNiMo17-12-2	
<b>Type, Poles</b>	Induction motor, 2 poles, IP68	<b>Cable</b>	NSSHÖU(3C*35mm <sup>2</sup> , 3*16mm <sup>2</sup> /3E,2*2, 5ST);NSSHÖU (3C*35mm <sup>2</sup> , 3*16mm <sup>2</sup> /3E)	
<b>Insulation</b>	Insulation class F	<b>Cable Length</b>	20m	
<b>Phase / Voltage</b>	3-phase / 400V / 50Hz			
<b>r.p.m.</b>	2965			
<b>Motor Protector (built-in)</b>	Miniature protector			
<b>Rated Current</b>	200			

OTHERS	SPECIFICATIONS	
<b>Dry Weight Kg</b>	1350	
<b>Pressure Resistance</b>	max. 50m	

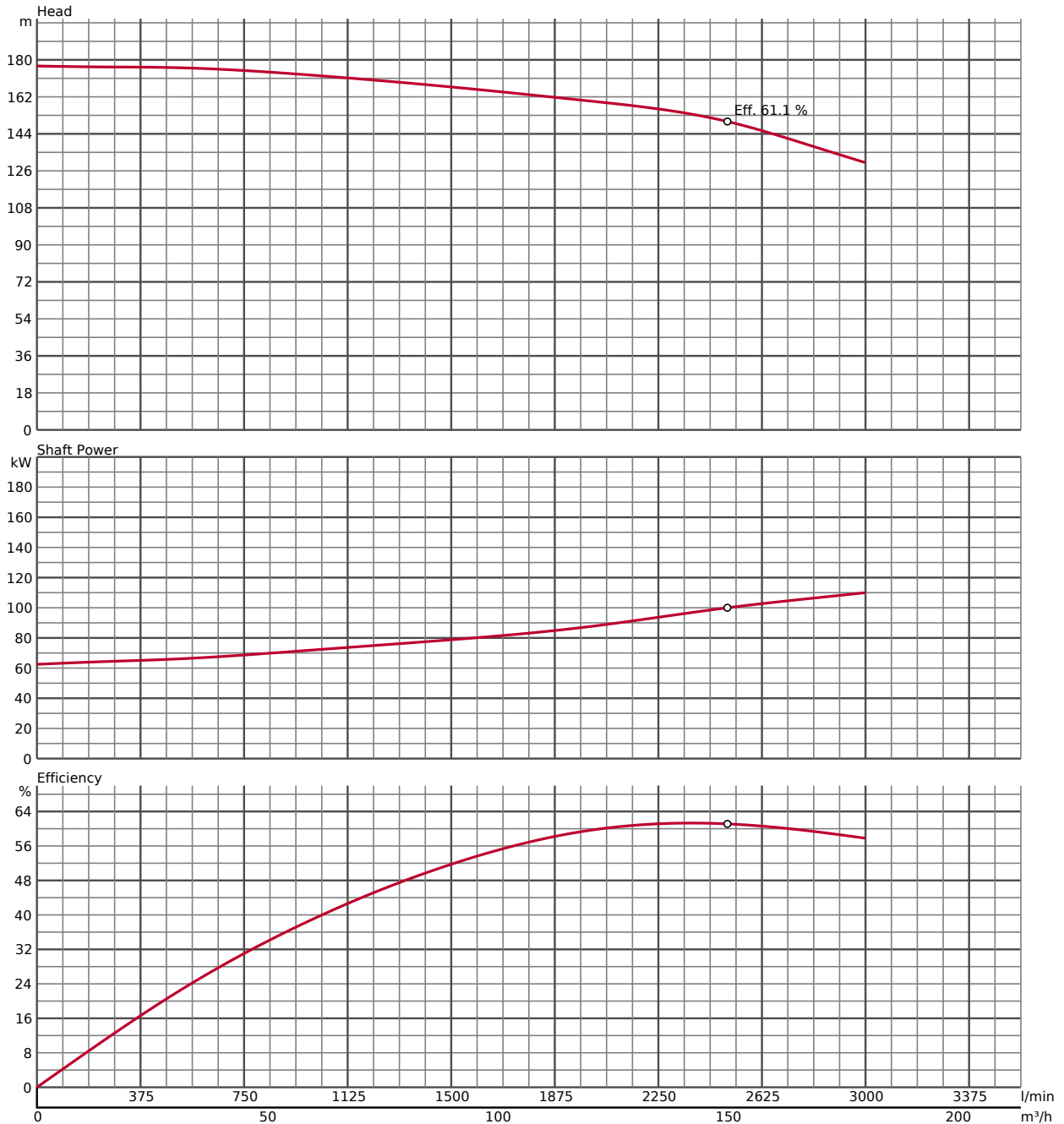
## DIMENSIONS



### DIMENSIONS - IN MM

<b>B</b>	1887	<b>D</b>	592	<b>W1</b>	200
<b>B1</b>	1485	<b>d</b>	150		

**PERFORMANCE CURVE**



In the event of abrasive and corrosive utilization, stronger wear and tear will take place naturally in certain components. In this regard, please pay attention to our website [www.tsurumi.eu/english/applications.htm](http://www.tsurumi.eu/english/applications.htm).