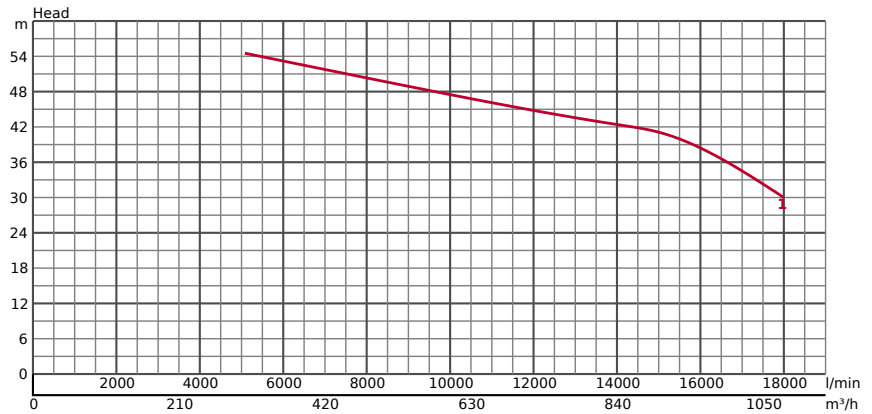


GSZ10150



TECHNICAL INFORMATION

GENERAL			PUMPING FLUID		
Ø Discharge bore mm	250		Type of Fluid	Drainage	
Discharge Connection	JIS 10K Flange		Temperature	0-40°C	
			Max. Solid Handling mm	25	
			Max. dry matter %	15	
			Max. PH Value	5-9	
			Max. Capacity l/min	18000	
			Max. Head m	54.5	

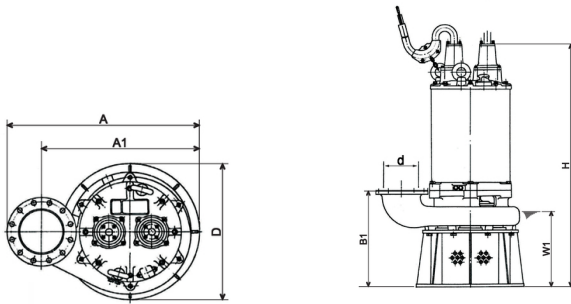
PUMP	COMPONENTS	MATERIAL
Impeller	Closed type impeller	Impeller Chromium iron casting
Bearings	Shielded ball bearings	Casing Grey iron casting EN-GJL-200
Mechanical Seal	Dual mechanical seal in oil bath	Suction Plate Grey iron casting EN-GJL-200
		Pump Body Structured Steel
		Mechanical Seal Silicon Carbide

TECHNICAL INFORMATION | Motor, Others on the next page →

MOTOR	Motor output kW	150	MATERIAL	
	Starting method	star/delta	Frame	Grey iron casting EN-GJL-200
	Type, Poles	Induction motor, 4 poles, IP68	Shaft	Stainless steel EN-X30Cr13
	Insulation	Insulation class F	Cable	NSSHÖU(3C*70mm ² , 3*35mm ² /3E,3*2, 5ST);NSSHÖU (3C*70mm ² , 3*35mm ² /3E)
	Phase / Voltage	3-phase / 400V / 50Hz	Cable Length	20m
	r.p.m.	1491		
	Motor Protector (built-in)	Miniature protector		
	Rated Current	285		
	Voltage Change 400V --> 230V	Re-Winding		
	Voltage Change 400V --> 690V	External connection (star)		

OTHERS	Dry Weight Kg	2650
	Pressure Resistance	max. 40m

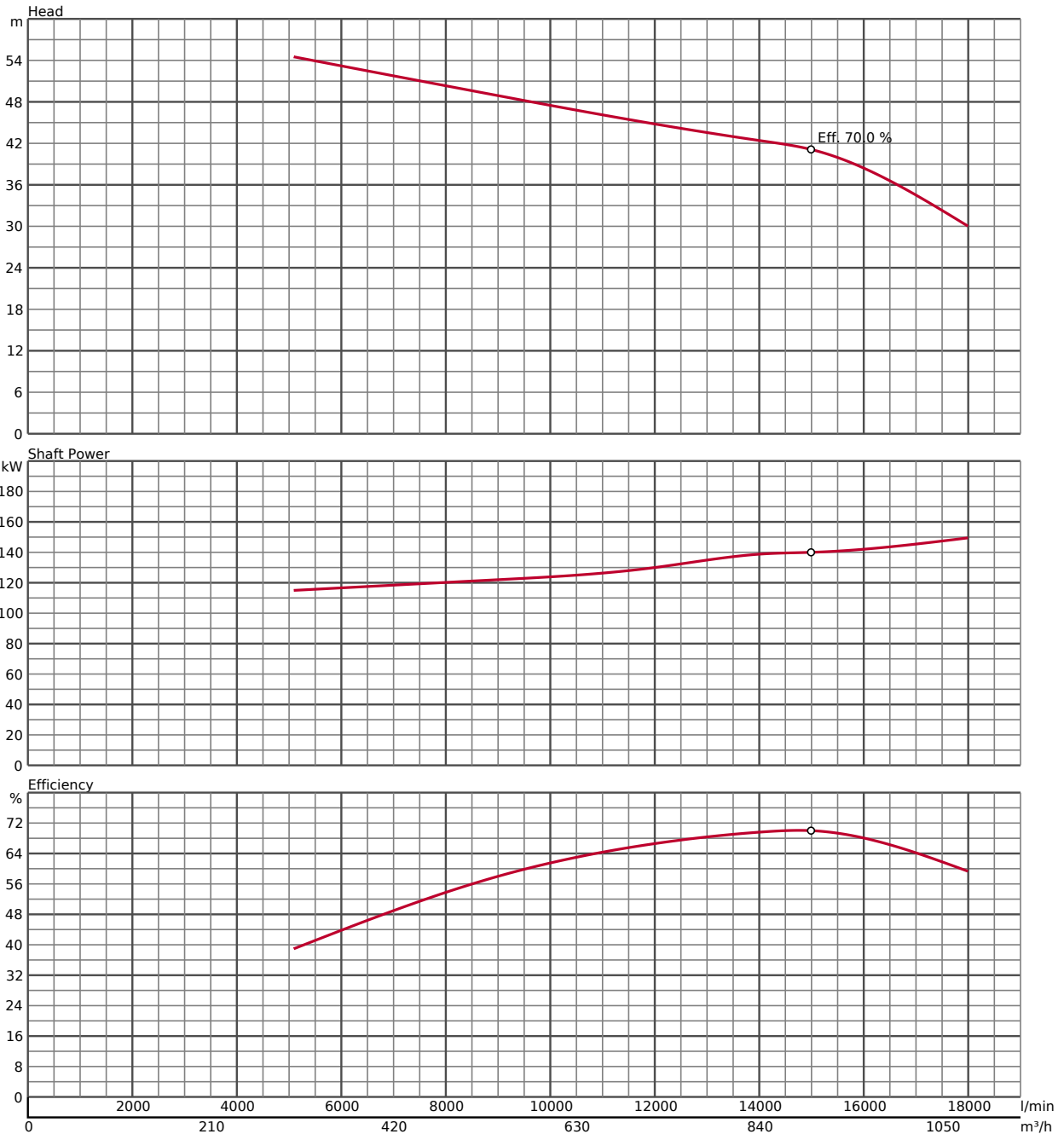
DIMENSIONS



DIMENSIONS - IN MM

A	1218	D	860	H	2455
A1	1018	d	250	W1	780
B1	764				

PERFORMANCE CURVE



In the event of abrasive and corrosive utilization, stronger wear and tear will take place naturally in certain components. In this regard, please pay attention to our website www.tsurumi.eu/english/applications.htm.