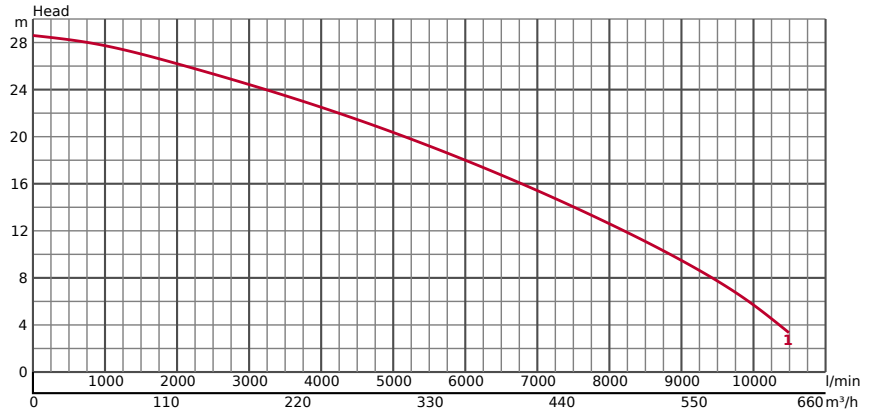


**GSZ5-37-6**



**TECHNICAL INFORMATION**

GENERAL	PUMPING FLUID																		
<table border="1"> <tr> <td>∅ Discharge bore mm</td> <td>200</td> </tr> <tr> <td>Discharge Connection</td> <td>JIS 10K Flange</td> </tr> </table>	∅ Discharge bore mm	200	Discharge Connection	JIS 10K Flange	<table border="1"> <tr> <td>Type of Fluid</td> <td>Sand/Slurry</td> </tr> <tr> <td>Temperature</td> <td>0-40°C</td> </tr> <tr> <td>Max. Solid Handling mm</td> <td>50</td> </tr> <tr> <td>Max. dry matter %</td> <td>15</td> </tr> <tr> <td>Max. PH Value</td> <td>5-9</td> </tr> <tr> <td>Max. Capacity l/min</td> <td>10500</td> </tr> <tr> <td>Max. Head m</td> <td>28.6</td> </tr> </table>	Type of Fluid	Sand/Slurry	Temperature	0-40°C	Max. Solid Handling mm	50	Max. dry matter %	15	Max. PH Value	5-9	Max. Capacity l/min	10500	Max. Head m	28.6
∅ Discharge bore mm	200																		
Discharge Connection	JIS 10K Flange																		
Type of Fluid	Sand/Slurry																		
Temperature	0-40°C																		
Max. Solid Handling mm	50																		
Max. dry matter %	15																		
Max. PH Value	5-9																		
Max. Capacity l/min	10500																		
Max. Head m	28.6																		

PUMP	COMPONENTS	MATERIAL																
	<table border="1"> <tr> <td>Impeller</td> <td>Semi-open type impeller</td> </tr> <tr> <td>Bearings</td> <td>Shielded ball bearings</td> </tr> <tr> <td>Mechanical Seal</td> <td>Dual mechanical seal in oil bath</td> </tr> </table>	Impeller	Semi-open type impeller	Bearings	Shielded ball bearings	Mechanical Seal	Dual mechanical seal in oil bath	<table border="1"> <tr> <td>Impeller</td> <td>Chromium iron casting</td> </tr> <tr> <td>Casing</td> <td>Grey iron casting EN-GJL-200</td> </tr> <tr> <td>Suction Plate</td> <td>Chromium iron casting</td> </tr> <tr> <td>Pump Body</td> <td>Structured Steel</td> </tr> <tr> <td>Mechanical Seal</td> <td>Silicon Carbide</td> </tr> </table>	Impeller	Chromium iron casting	Casing	Grey iron casting EN-GJL-200	Suction Plate	Chromium iron casting	Pump Body	Structured Steel	Mechanical Seal	Silicon Carbide
Impeller	Semi-open type impeller																	
Bearings	Shielded ball bearings																	
Mechanical Seal	Dual mechanical seal in oil bath																	
Impeller	Chromium iron casting																	
Casing	Grey iron casting EN-GJL-200																	
Suction Plate	Chromium iron casting																	
Pump Body	Structured Steel																	
Mechanical Seal	Silicon Carbide																	

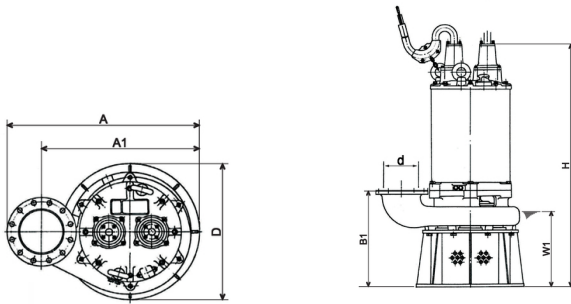
TECHNICAL INFORMATION | Motor, Others on the next page →

MOTOR	Motor output kW	37,0	MATERIAL	
	Starting method	star/delta	Frame	Grey iron casting EN-GJL-200
	Type, Poles	Induction motor, 6 poles, IP68	Shaft	Stainless steel EN-X30Cr13
	Insulation	Insulation class F	Cable	NSSHÖU 4C*10mm <sup>2</sup> /2C*1. 5mm <sup>2</sup> ; NSSHÖU (4C*10mm <sup>2</sup> )
	Phase / Voltage	3-phase / 400V / 50Hz	Cable Length	20m
	r.p.m.	970		
	Motor Protector (built-in)	Miniature protector		
	Rated Current	74		
	Voltage Change 400V --> 230V	Re-Winding		
	Voltage Change 400V --> 690V	External connection (star)		

OTHERS	Dry Weight Kg	796
	Pressure Resistance	max. 40m

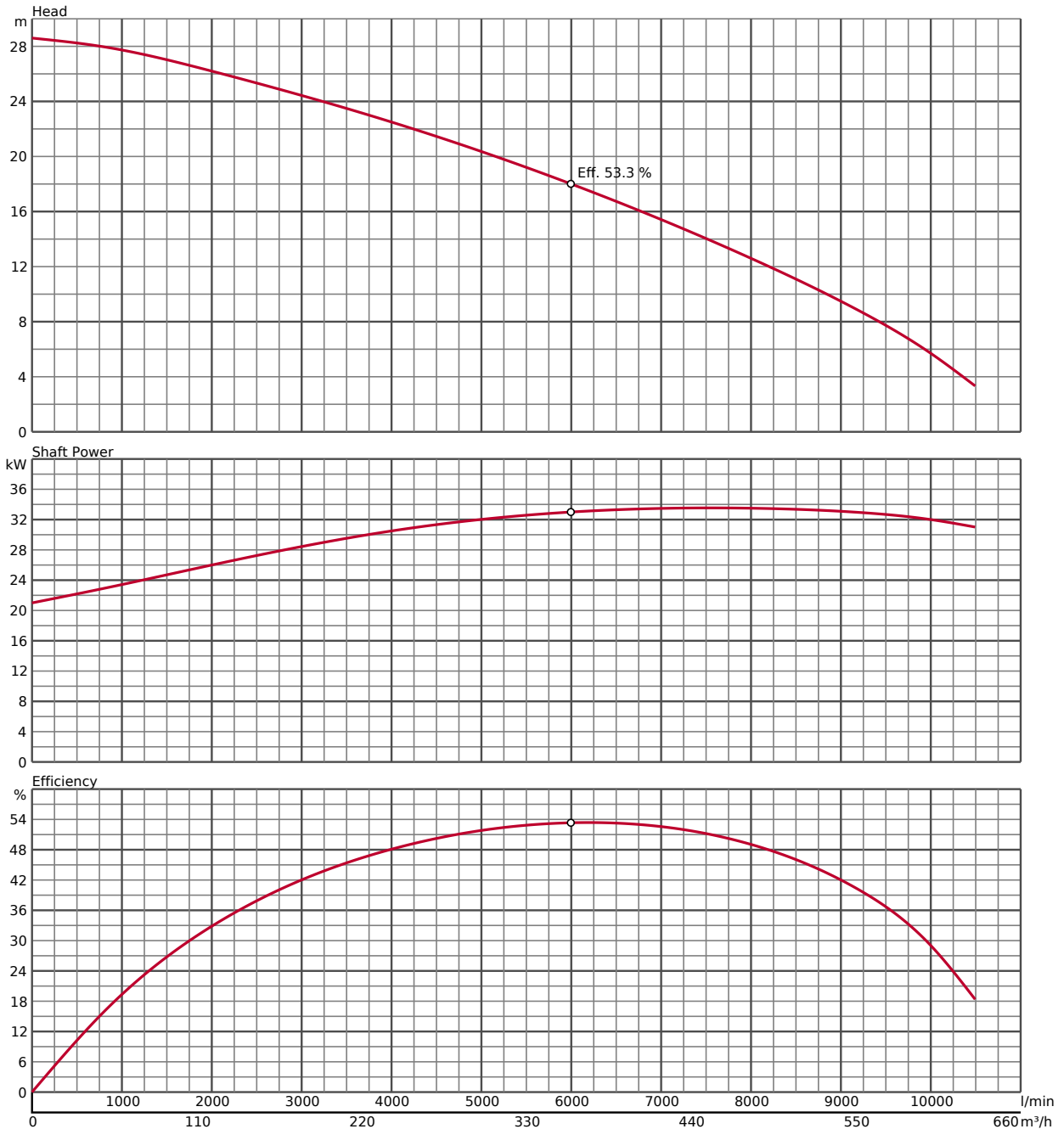
## DIMENSIONS



**DIMENSIONS - IN MM**

<b>A</b>	1047	<b>D</b>	804	<b>H</b>	1421
<b>A1</b>	882	<b>d</b>	200	<b>W1</b>	370
<b>B1</b>	430				

## PERFORMANCE CURVE



In the event of abrasive and corrosive utilization, stronger wear and tear will take place naturally in certain components. In this regard, please pay attention to our website [www.tsurumi.eu/english/applications.htm](http://www.tsurumi.eu/english/applications.htm).