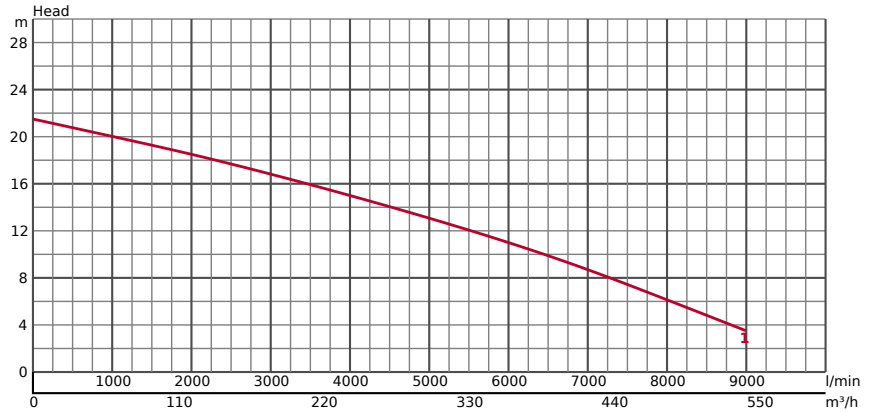


GSZ5-22-6



TECHNICAL INFORMATION

GENERAL			PUMPING FLUID		
ø Discharge bore mm	200		Type of Fluid	Sand/Slurry	
Discharge Connection	JIS 10K Flange		Temperature	0-40°C	
			Max. Solid Handling mm	50	
			Max. dry matter %	15	
			Max. PH Value	5-9	
			Max. Capacity l/min	9000	
			Max. Head m	21.50	

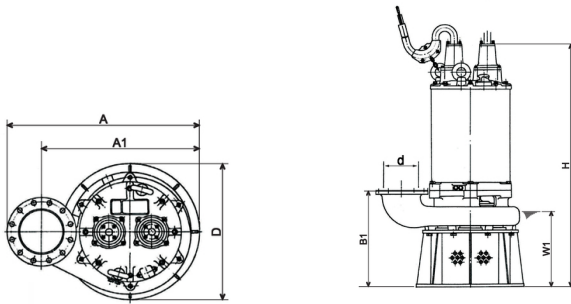
PUMP	COMPONENTS	MATERIAL
Impeller	Semi-open type impeller	Impeller Chromium iron casting
Bearings	Shielded ball bearings	Casing Grey iron casting EN-GJL-200
Mechanical Seal	Dual mechanical seal in oil bath	Suction Plate Chromium iron casting
		Pump Body Structured Steel
		Mechanical Seal Silicon Carbide

TECHNICAL INFORMATION | Motor, Others on the next page →

MOTOR	Motor output kW	22,0	MATERIAL	
	Starting method	direct online	Frame	Grey iron casting EN-GJL-200
	Type, Poles	Induction motor, 6 poles, IP68	Shaft	Stainless steel EN-X30Cr13
	Insulation	Insulation class F	Cable	NSSHÖU 4C*10mm ² + 2*1,5ST
	Phase / Voltage	3-phase / 400V / 50Hz	Cable Length	20m
	r.p.m.	970		
	Motor Protector (built-in)	Miniature protector		
	Rated Current	47		
	Voltage Change 400V --> 230V	Re-Winding		
	Voltage Change 400V --> 690V	External connection (star)		

OTHERS	Dry Weight Kg	685
	Pressure Resistance	max. 40m

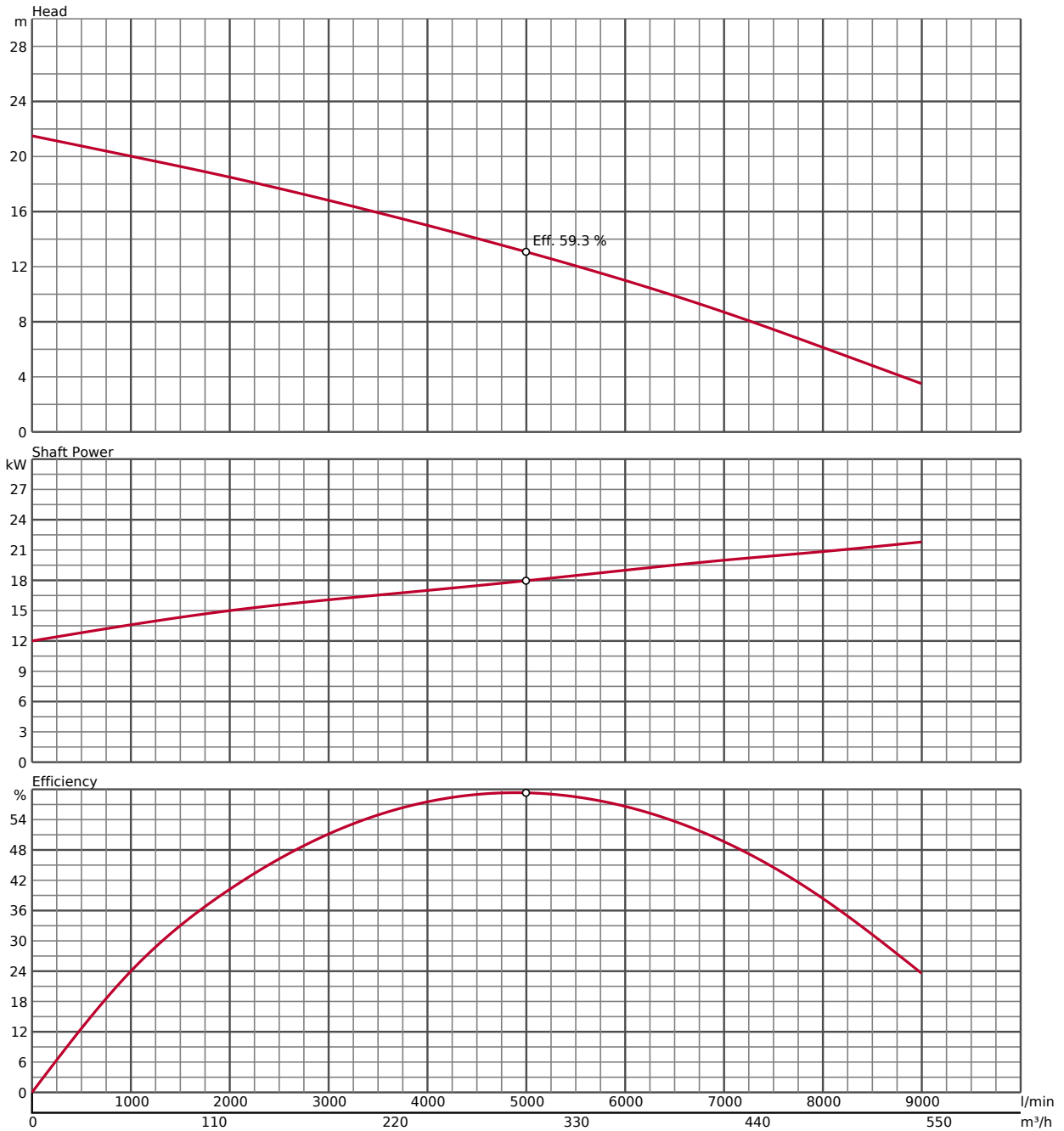
DIMENSIONS



DIMENSIONS - IN MM

A	965	D	720	H	1360
A1	800	d	200	W1	350
B1	474				

PERFORMANCE CURVE



In the event of abrasive and corrosive utilization, stronger wear and tear will take place naturally in certain components. In this regard, please pay attention to our website www.tsurumi.eu/english/applications.htm.