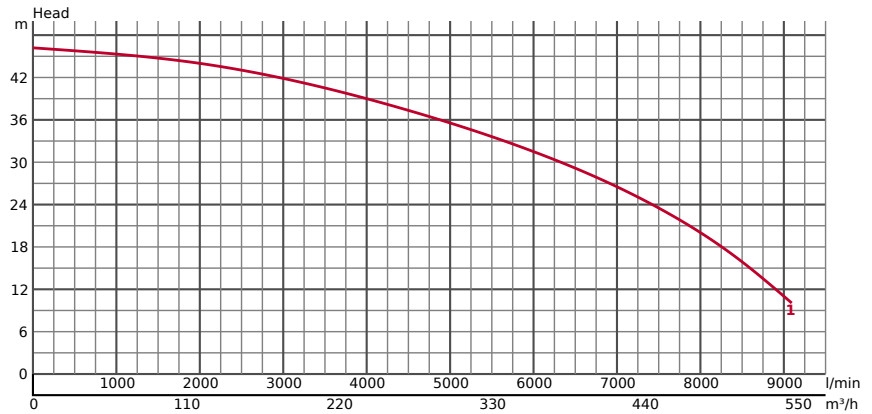


GSZ4-45-4

TECHNICAL INFORMATION

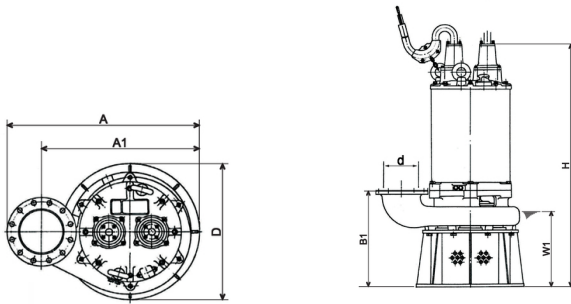
GENERAL	Ø Discharge bore mm	200	PUMPING FLUID	Type of Fluid	Drainage
	Discharge Connection	JIS 10K Flange		Temperature	0-40°C
PUMP	COMPONENTS		MATERIAL	Max. Solid Handling mm	25
	Impeller	Closed type impeller		Max. dry matter %	15
	Bearings	Shielded ball bearings		Max. PH Value	5-9
	Mechanical Seal	Dual mechanical seal in oil bath		Max. Capacity l/min	9100
	Impeller	Chromium iron casting		Max. Head m	46.2
	Casing	Grey iron casting EN-GJL-200			
	Suction Plate	Grey iron casting EN-GJL-200			
	Pump Body	Structured Steel			
Mechanical Seal	Silicon Carbide				

TECHNICAL INFORMATION | Motor, Others on the next page →

MOTOR	Motor output kW	45,0	MATERIAL	
	Starting method	star/delta	Frame	Grey iron casting EN-GJL-200
	Type, Poles	Induction motor, 4 poles, IP68	Shaft	Stainless steel EN-X30Cr13
	Insulation	Insulation class F	Cable	NSSHÖU 4C*10mm ² /2C*1. 5mm ² ; NSSHÖU (4C*10mm ²)
	Phase / Voltage	3-phase / 400V / 50Hz	Cable Length	20m
	r.p.m.	1455		
	Motor Protector (built-in)	Miniature protector		
	Rated Current	87		
	Voltage Change 400V --> 230V	Re-Winding		
	Voltage Change 400V --> 690V	External connection (star)		

OTHERS	Dry Weight Kg	583
	Pressure Resistance	max. 40m

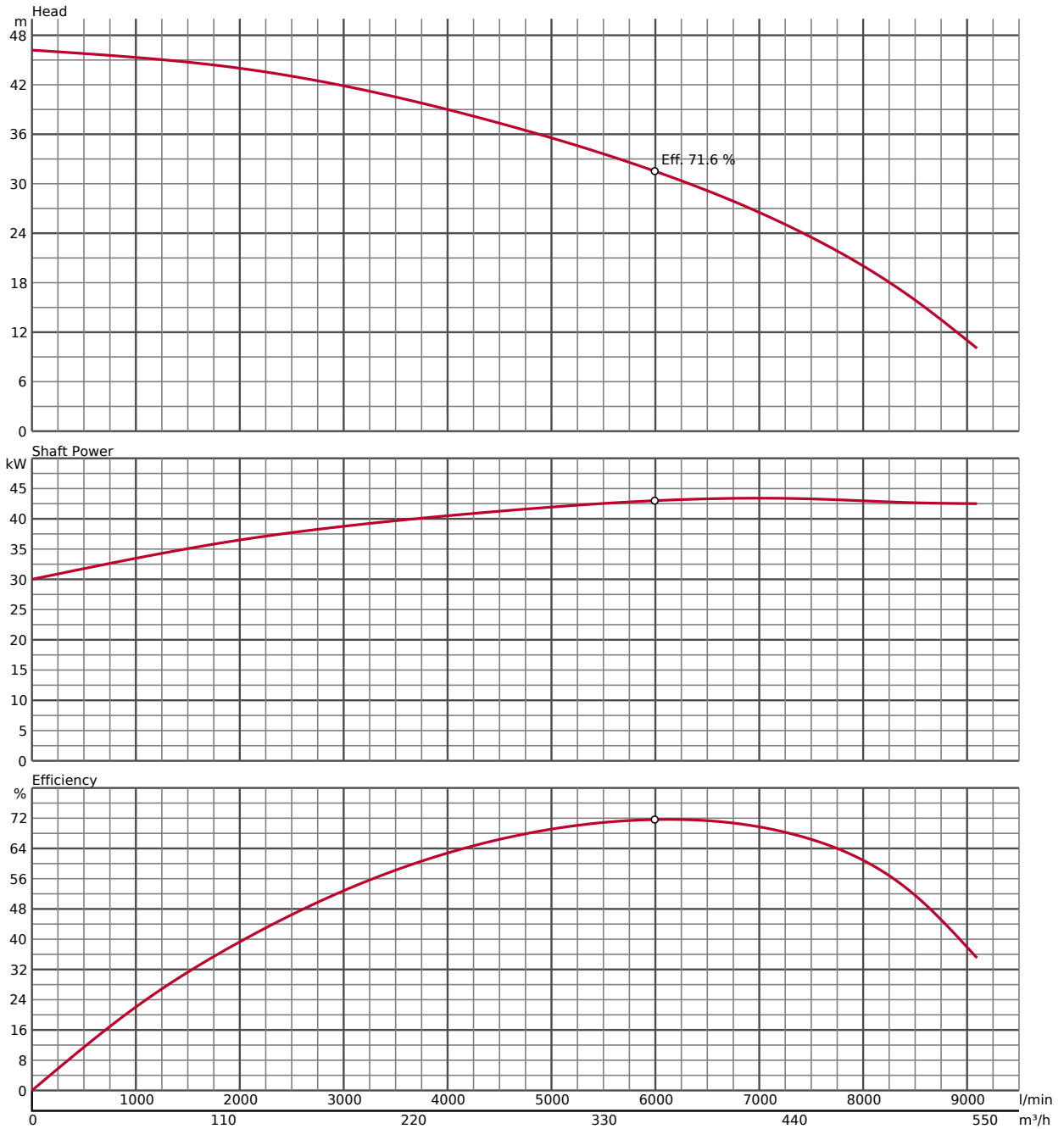
DIMENSIONS



DIMENSIONS - IN MM

A	915	D	660	H	1591
A1	750	d	200	W1	460
B1	600				

PERFORMANCE CURVE



In the event of abrasive and corrosive utilization, stronger wear and tear will take place naturally in certain components. In this regard, please pay attention to our website www.tsurumi.eu/english/applications.htm.