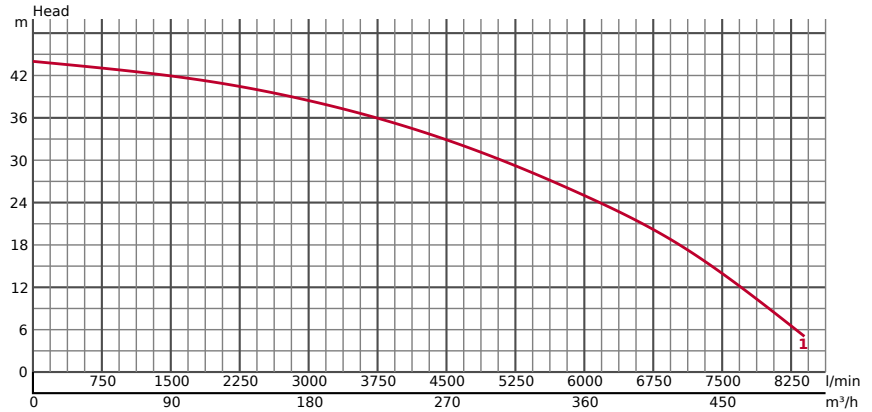


**GSZ5-37-4**



**TECHNICAL INFORMATION**

GENERAL		PUMPING FLUID	
<b>Ø Discharge bore mm</b>	200	<b>Type of Fluid</b>	Drainage
<b>Discharge Connection</b>	JIS 10K Flange	<b>Temperature</b>	0-40°C
		<b>Max. Solid Handling mm</b>	25
		<b>Max. dry matter %</b>	15
		<b>Max. PH Value</b>	5-9
		<b>Max. Capacity l/min</b>	8400
		<b>Max. Head m</b>	44

PUMP		MATERIAL	
COMPONENTS			
<b>Impeller</b>	Closed type impeller	<b>Impeller</b>	Chromium iron casting
<b>Bearings</b>	Shielded ball bearings	<b>Casing</b>	Grey iron casting EN-GJL-200
<b>Mechanical Seal</b>	Dual mechanical seal in oil bath	<b>Suction Plate</b>	Grey iron casting EN-GJL-200
		<b>Pump Body</b>	Structured Steel
		<b>Mechanical Seal</b>	Silicon Carbide

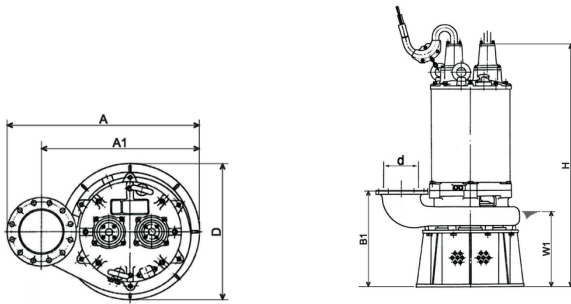
TECHNICAL INFORMATION | Motor, Others on the next page →

MOTOR	Motor output kW	37,0	MATERIAL	
	Starting method	star/delta	<b>Frame</b>	Grey iron casting EN-GJL-200
	Type, Poles	Induction motor, 4 poles, IP68	<b>Shaft</b>	Stainless steel EN-X30Cr13
	Insulation	Insulation class F	<b>Cable</b>	NSSHÖU 4C*10mm <sup>2</sup> /2C*1. 5mm <sup>2</sup> ; NSSHÖU (4C*10mm <sup>2</sup> )
	Phase / Voltage	3-phase / 400V / 50Hz	<b>Cable Length</b>	20m
	r.p.m.	1455		
	Motor Protector (built-in)	Miniature protector		
	Rated Current	74		
	Voltage Change 400V --> 230V	Re-Winding		
	Voltage Change 400V --> 690V	External connection (star)		

OTHERS	Dry Weight Kg	566
	Pressure Resistance	max. 40m

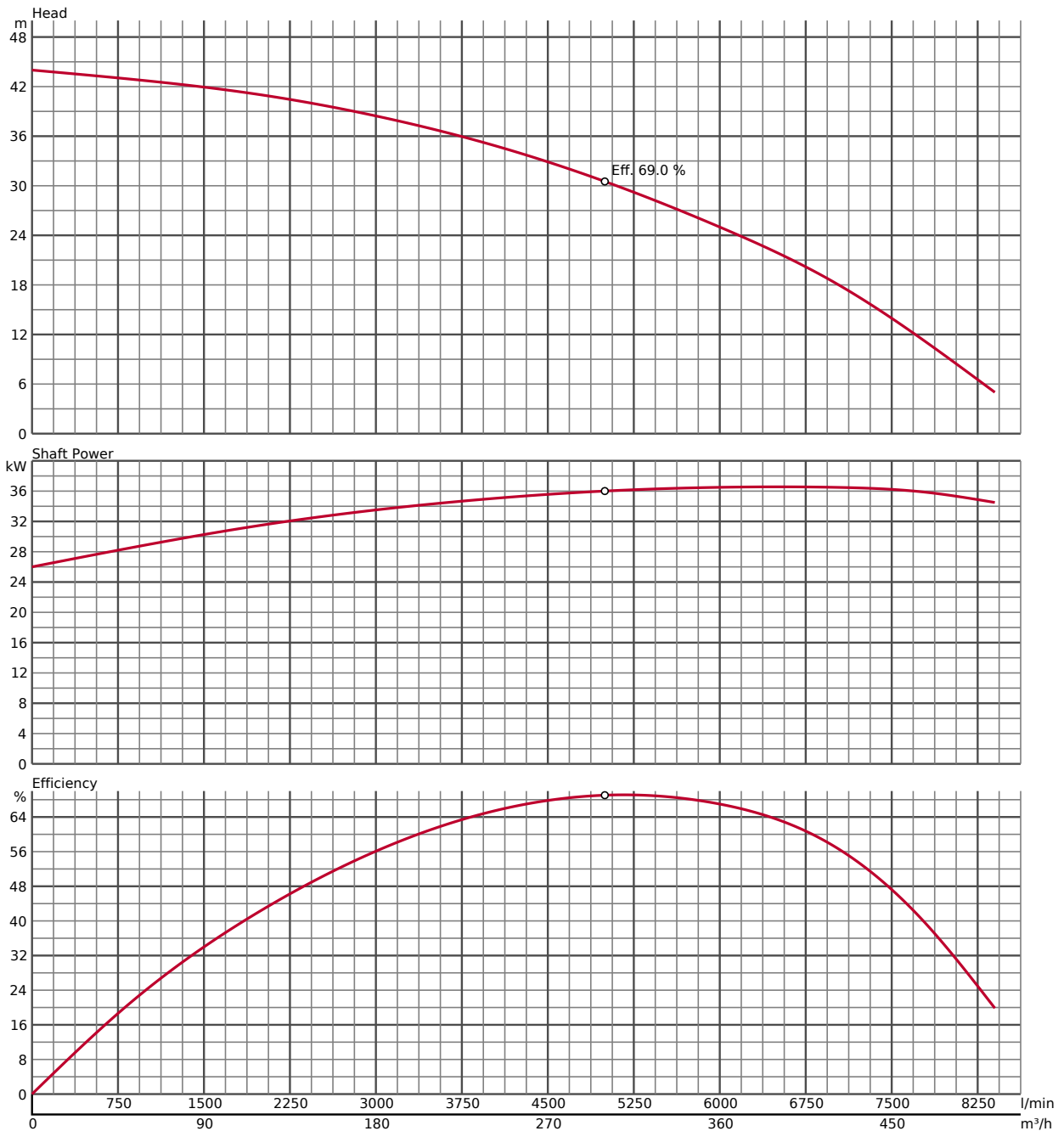
## DIMENSIONS



**DIMENSIONS - IN MM**

<b>A</b>	915	<b>D</b>	660	<b>H</b>	1583
<b>A1</b>	750	<b>d</b>	200	<b>W1</b>	480
<b>B1</b>	550				

## PERFORMANCE CURVE



In the event of abrasive and corrosive utilization, stronger wear and tear will take place naturally in certain components. In this regard, please pay attention to our website [www.tsurumi.eu/english/applications.htm](http://www.tsurumi.eu/english/applications.htm).