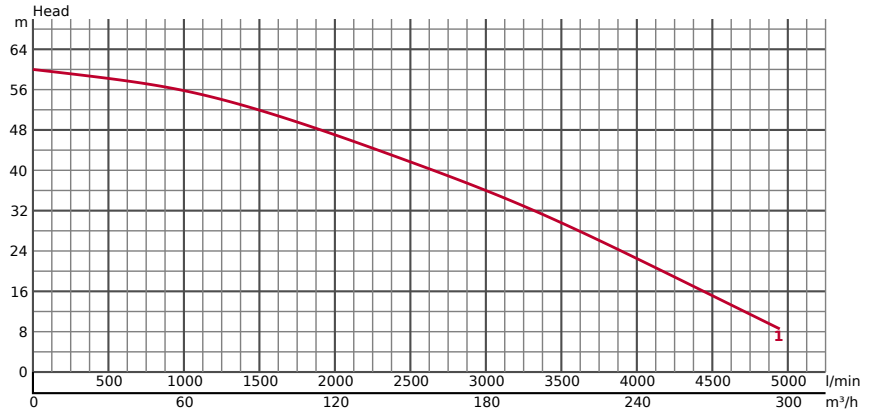


GSZ5-37-4H



TECHNICAL INFORMATION

GENERAL		PUMPING FLUID	
Ø Discharge bore mm	150	Type of Fluid	Drainage
Discharge Connection	JIS 10K Flange	Temperature	0-40°C
		Max. Solid Handling mm	10
		Max. dry matter %	15
		Max. PH Value	5-9
		Max. Capacity l/min	4950
		Max. Head m	60

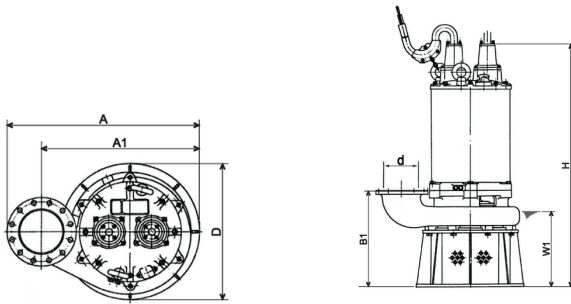
PUMP		MATERIAL	
COMPONENTS			
Impeller	Closed type impeller	Impeller	Stainless steel casting DIN X5CrNi18-10
Bearings	Shielded ball bearings	Casing	Grey iron casting EN-GJL-200
Mechanical Seal	Dual mechanical seal in oil bath	Suction Plate	Grey iron casting EN-GJL-200
		Pump Body	Structured Steel
		Mechanical Seal	Silicon Carbide

TECHNICAL INFORMATION | Motor, Others on the next page →

MOTOR	Motor output kW	37,0	MATERIAL	
	Starting method	star/delta	Frame	Grey iron casting EN-GJL-200
	Type, Poles	Induction motor, 4 poles, IP68	Shaft	Stainless steel EN-X30Cr13
	Insulation	Insulation class F	Cable	NSSHÖU 4C*10mm ² /2C*1. 5mm ² ; NSSHÖU (4C*10mm ²)
	Phase / Voltage	3-phase / 400V / 50Hz	Cable Length	20m
	r.p.m.	1455		
	Motor Protector (built-in)	Miniature protector		
	Rated Current	74		
	Voltage Change 400V --> 230V	Re-Winding		
	Voltage Change 400V --> 690V	External connection (star)		

OTHERS	Dry Weight Kg	595
	Pressure Resistance	max. 40m

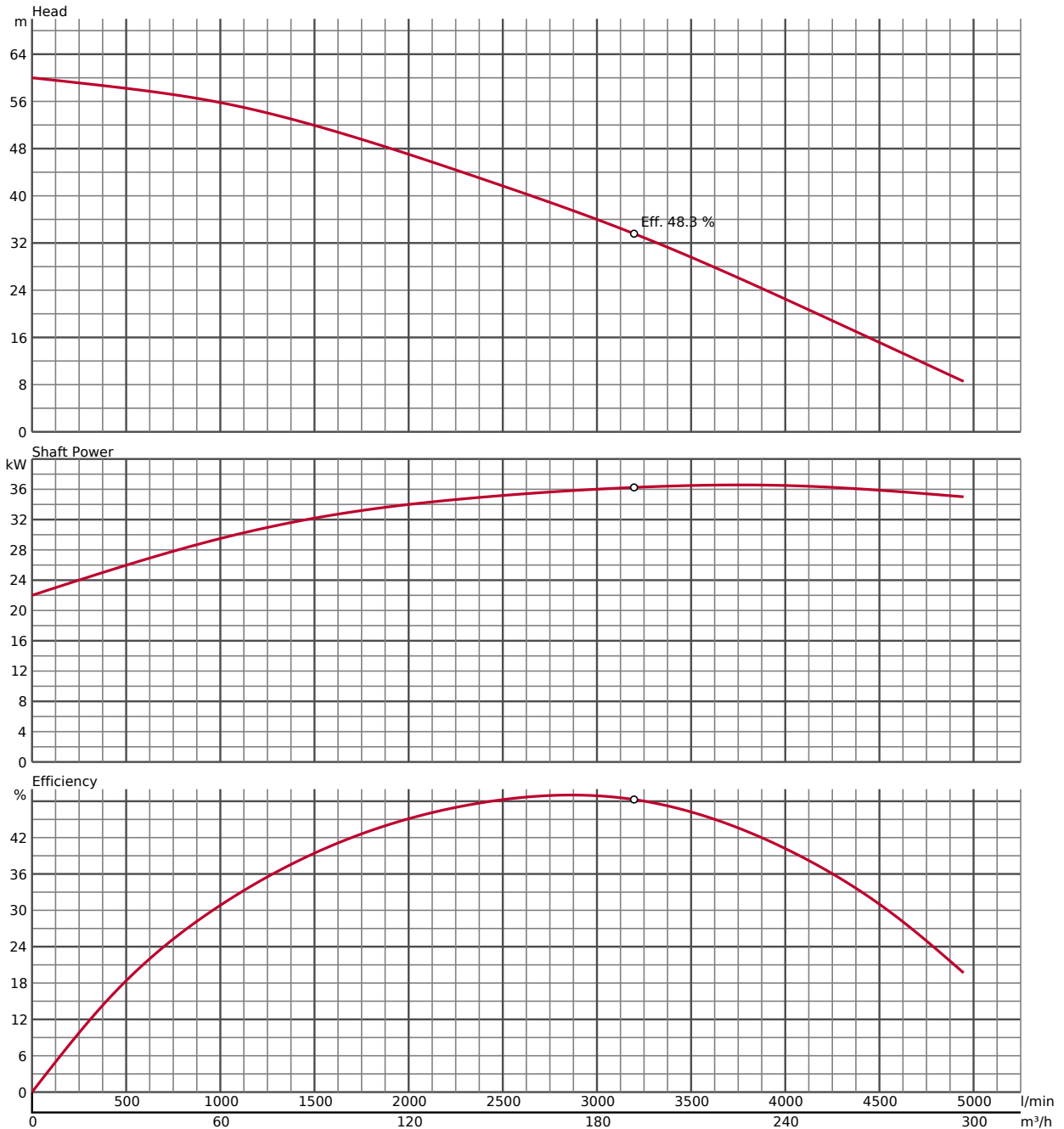
DIMENSIONS



DIMENSIONS - IN MM

A	900	D	700	H	1553
A1	760	d	150	W1	440
B1	520				

PERFORMANCE CURVE



In the event of abrasive and corrosive utilization, stronger wear and tear will take place naturally in certain components. In this regard, please pay attention to our website www.tsurumi.eu/english/applications.htm.