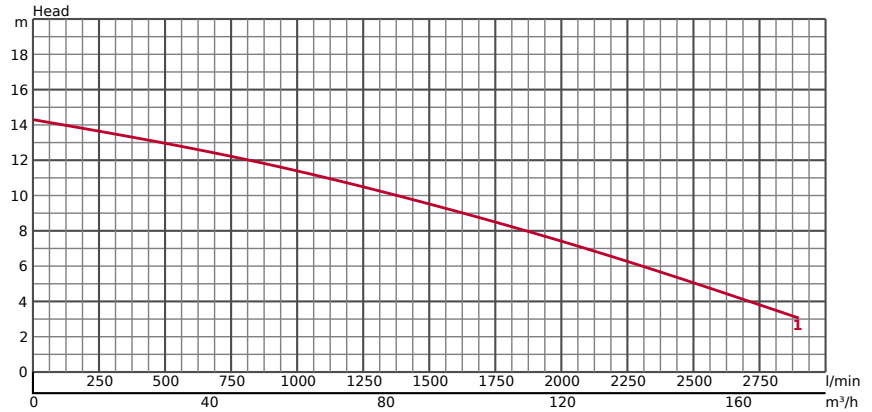


100UPZM46.5



TECHNICAL INFORMATION

GENERAL		PUMPING FLUID	
ø Discharge bore mm	100	Type of Fluid	Sewage
Discharge Connection	Flange DIN/ANSI DN100 (PN10)	Temperature	0-40°C
ATEX available	Yes	Max. Solid Handling mm	100
		Max. PH Value	5-9
		Max. Capacity l/min	2833
		Max. Head m	13.80

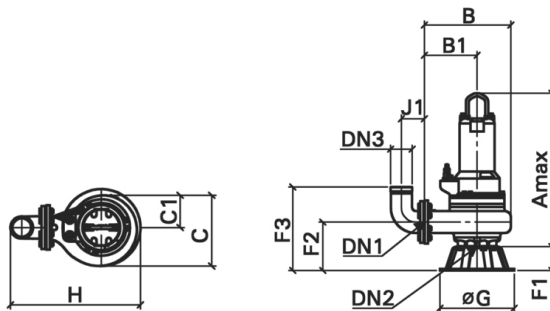
PUMP	COMPONENTS	MATERIAL	
	Impeller	Vortex impeller	Impeller
	Bearings	Shielded ball bearings	Grey iron casting EN-GJL-250
	Mechanical Seal	Inside/outside mechanical seal	Casing
			Grey iron casting EN-GJL-250

TECHNICAL INFORMATION | Motor, Others on the next page →

MOTOR	Motor output kW	6,5	MATERIAL	
	Starting method	star/delta	Shaft	Stainless steel EN-X14Cr-Mo-S17
	Type, Poles	Induction motor, 4 poles, IP68	Cable	H07RN8-F PLUS 12G1, 5
	Insulation	Insulation class H	Cable Length	10m
	Phase / Voltage	3-phase / 400V / 50Hz		
	r.p.m.	1450		
	Motor Protector (built-in)	Miniature protector		
	Rated Current	13,4		

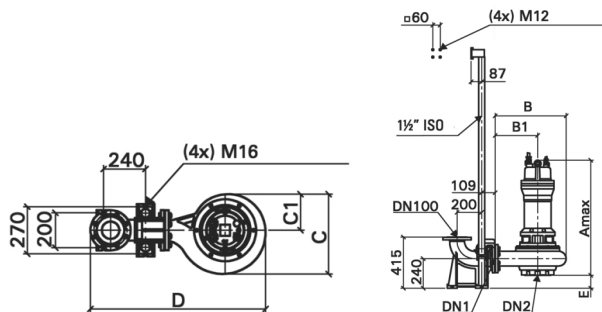
OTHERS	Dry Weight Kg	146.47
	Pressure Resistance	max. 20m

DIMENSIONS



DIMENSIONS - IN MM					
A	821	C1	168	G	395
B	460	DN1	100	H	627
B1	280	DN2	100	J1	122
C	336	DN3	100		

DIMENSIONS | GUIDE RAIL FITTING TYPE



DIMENSIONS GUIDE RAIL FITTING TYPE - IN MM					
A	821	C	336	DN1	100
B	460	C1	168	DN2	100
B1	280	D	884	E	140

PERFORMANCE CURVE

