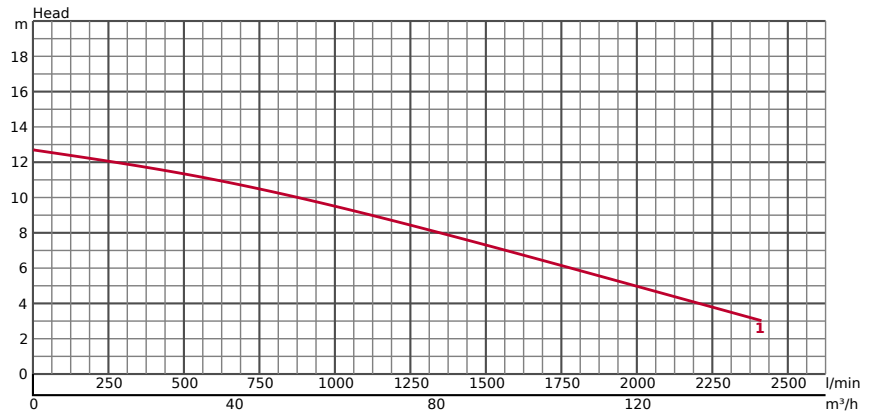


100UPZM45.0



TECHNICAL INFORMATION

<b>GENERAL</b>	<b>Ø Discharge bore mm</b>	100	<b>PUMPING FLUID</b>	<b>Type of Fluid</b>	Sewage
	<b>Discharge Connection</b>	Flange DIN/ANSI DN100 (PN10)		<b>Temperature</b>	0-40°C
	<b>ATEX available</b>	Yes		<b>Max. Solid Handling mm</b>	100
			<b>Max. PH Value</b>	5-9	
			<b>Max. Capacity l/min</b>	2433	
			<b>Max. Head m</b>	12.20	

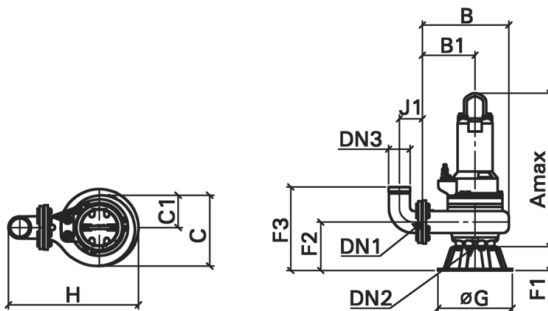
<b>PUMP</b>	<b>COMPONENTS</b>		<b>MATERIAL</b>	
	<b>Impeller</b>	Vortex impeller	<b>Impeller</b>	Grey iron casting EN-GJL-250
	<b>Bearings</b>	Shielded ball bearings	<b>Casing</b>	Grey iron casting EN-GJL-250
	<b>Mechanical Seal</b>	Inside/outside mechanical seal		

TECHNICAL INFORMATION | Motor, Others on the next page →

MOTOR	Motor output kW	5,0	MATERIAL	
	Starting method	star/delta	Shaft	Stainless steel EN-X14Cr-Mo-S17
	Type, Poles	Induction motor, 4 poles, IP68	Cable	H07RN8-F PLUS 12G1, 5
	Insulation	Insulation class H	Cable Length	10m
	Phase / Voltage	3-phase / 400V / 50Hz		
	r.p.m.	1450		
	Motor Protector (built-in)	Miniature protector		
	Rated Current	10,2		

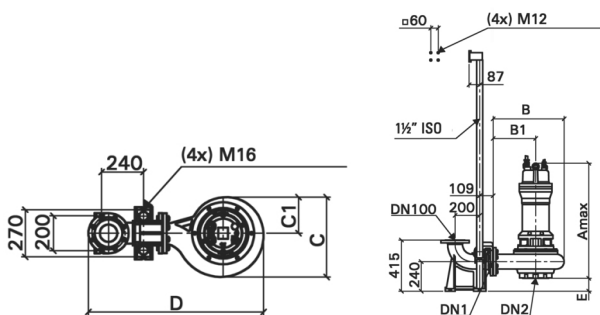
OTHERS	Dry Weight Kg	125.76
	Pressure Resistance	max. 20m

## DIMENSIONS



DIMENSIONS - IN MM					
A	751	C1	168	G	395
B	460	DN1	100	H	627
B1	280	DN2	100	J1	122
C	336	DN3	100		

## DIMENSIONS | GUIDE RAIL FITTING TYPE



DIMENSIONS   GUIDE RAIL FITTING TYPE - IN MM					
A	751	C	336	DN1	100
B	460	C1	168	DN2	100
B1	280	D	884	E	140

PERFORMANCE CURVE

