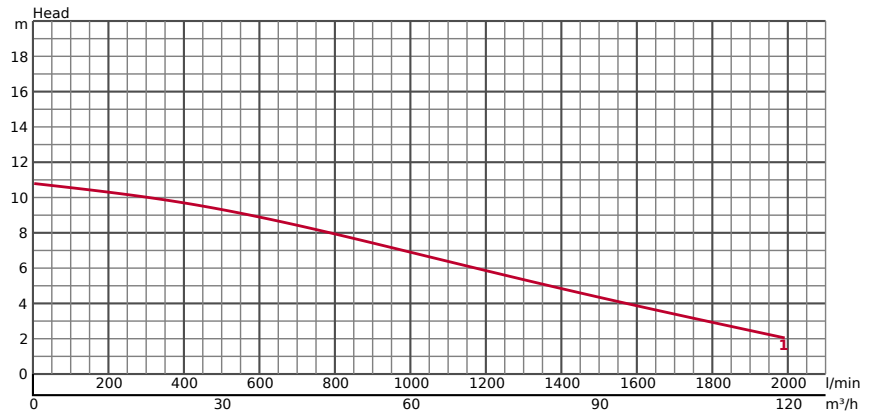


100UPZM43.7



TECHNICAL INFORMATION

GENERAL		PUMPING FLUID	
<b>ø Discharge bore mm</b>	100	<b>Type of Fluid</b>	Sewage
<b>Discharge Connection</b>	Flange DIN/ANSI DN100 (PN10)	<b>Temperature</b>	0-40°C
<b>ATEX available</b>	Yes	<b>Max. Solid Handling mm</b>	100
		<b>Max. PH Value</b>	5-9
		<b>Max. Capacity l/min</b>	2000
		<b>Max. Head m</b>	10.80

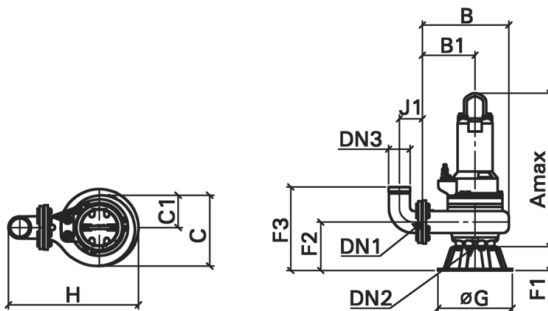
PUMP	COMPONENTS	MATERIAL	
	<b>Impeller</b>	Vortex impeller	<b>Impeller</b>
	<b>Bearings</b>	Shielded ball bearings	Grey iron casting EN-GJL-250
	<b>Mechanical Seal</b>	Inside/outside mechanical seal	<b>Casing</b>
			Grey iron casting EN-GJL-250

TECHNICAL INFORMATION | Motor, Others on the next page →

MOTOR	Motor output kW	3,7	MATERIAL	
	Starting method	direct online	<b>Shaft</b>	Stainless steel EN-X14Cr-Mo-S17
	Type, Poles	Induction motor, 4 poles, IP68	<b>Cable</b>	H07RN8-F PLUS 10G1, 5
	Insulation	Insulation class H	<b>Cable Length</b>	10m
	Phase / Voltage	3-phase / 400V / 50Hz		
	r.p.m.	1450		
	Motor Protector (built-in)	Miniature protector		
	Rated Current	7,3		

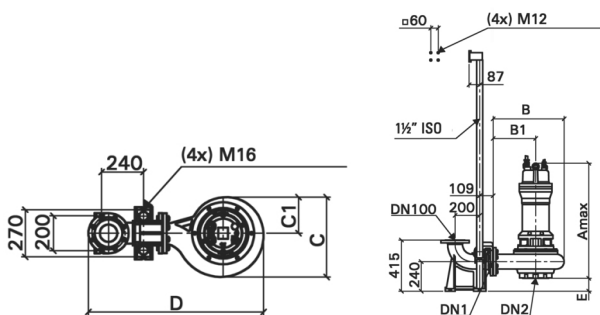
OTHERS	Dry Weight Kg	118.51
	Pressure Resistance	max. 20m

## DIMENSIONS



DIMENSIONS - IN MM					
<b>A</b>	751	<b>C1</b>	155	<b>G</b>	395
<b>B</b>	410	<b>DN1</b>	100	<b>H</b>	627
<b>B1</b>	250	<b>DN2</b>	100	<b>J1</b>	122
<b>C</b>	310	<b>DN3</b>	100		

## DIMENSIONS | GUIDE RAIL FITTING TYPE



DIMENSIONS   GUIDE RAIL FITTING TYPE - IN MM					
<b>A</b>	751	<b>C</b>	310	<b>DN1</b>	100
<b>B</b>	410	<b>C1</b>	155	<b>DN2</b>	100
<b>B1</b>	250	<b>D</b>	834	<b>E</b>	140

PERFORMANCE CURVE

