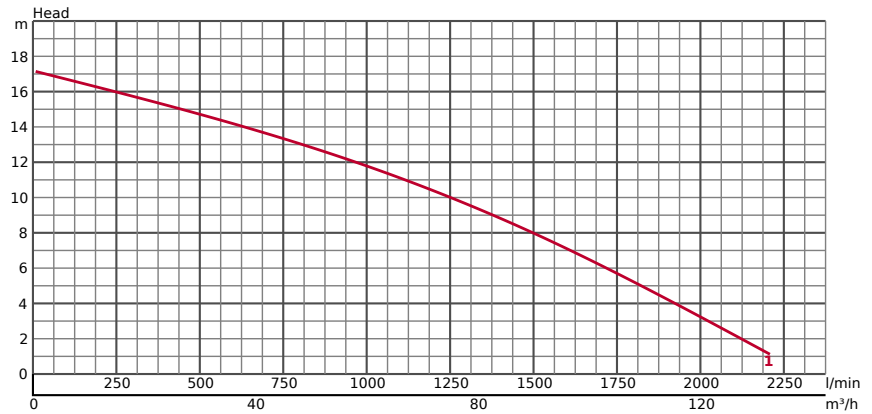


80UPZM46.5



TECHNICAL INFORMATION

GENERAL	Ø Discharge bore mm	80	PUMPING FLUID	Type of Fluid	Sewage
	Discharge Connection	Flange DIN/ANSI DN80 (PN10)		Temperature	0-40°C
	ATEX available	Yes		Max. Solid Handling mm	80
			Max. PH Value	5-9	
			Max. Capacity l/min	2217	
			Max. Head m	17.20	

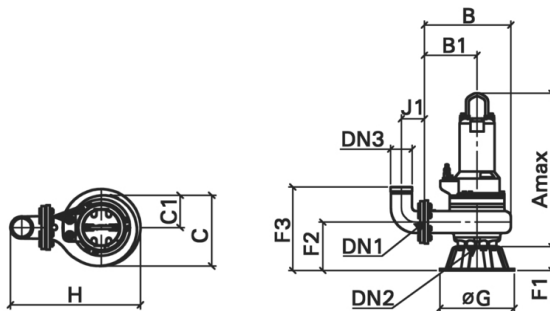
PUMP	COMPONENTS		MATERIAL	
	Impeller	Vortex impeller	Impeller	Grey iron casting EN-GJL-250
	Bearings	Shielded ball bearings	Casing	Grey iron casting EN-GJL-250
	Mechanical Seal	Inside/outside mechanical seal		

TECHNICAL INFORMATION | Motor, Others on the next page →

MOTOR	Motor output kW	6,5	MATERIAL	
	Starting method	star/delta	Shaft	Stainless steel EN-X14Cr-Mo-S17
	Type, Poles	Induction motor, 4 poles, IP68	Cable	H07RN8-F PLUS 12G1, 5
	Insulation	Insulation class H	Cable Length	10m
	Phase / Voltage	3-phase / 400V / 50Hz		
	r.p.m.	1450		
	Motor Protector (built-in)	Miniature protector		
	Rated Current	13,4		

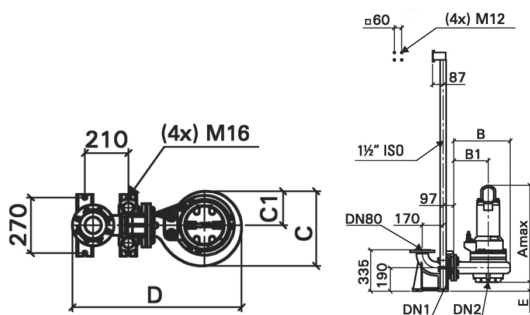
OTHERS	Dry Weight Kg	141.81
	Pressure Resistance	max. 20m

DIMENSIONS



DIMENSIONS - IN MM					
A	792	C1	158	G	395
B	408	DN1	80	H	628
B1	250	DN2	100	J1	137
C	316	DN3	80		

DIMENSIONS | GUIDE RAIL FITTING TYPE



DIMENSIONS GUIDE RAIL FITTING TYPE - IN MM					
A	792	C	316	DN1	80
B	408	C1	158	DN2	100
B1	250	D	775	E	112

PERFORMANCE CURVE

