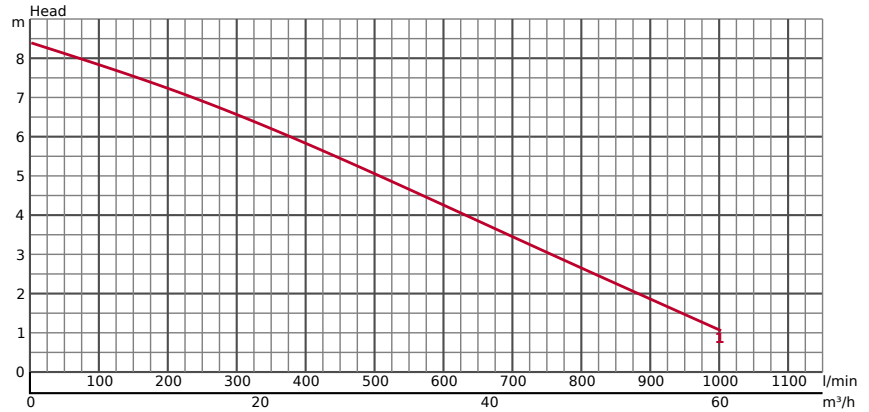


80UPZM42.9LL



TECHNICAL INFORMATION

GENERAL	Ø Discharge bore mm	80	PUMPING FLUID	Type of Fluid	Sewage
	Discharge Connection	Flange DIN/ANSI DN80 (PN10)		Temperature	0-40°C
	ATEX available	Yes		Max. Solid Handling mm	80
			Max. PH Value	5-9	
			Max. Capacity l/min	1000	
			Max. Head m	8.40	

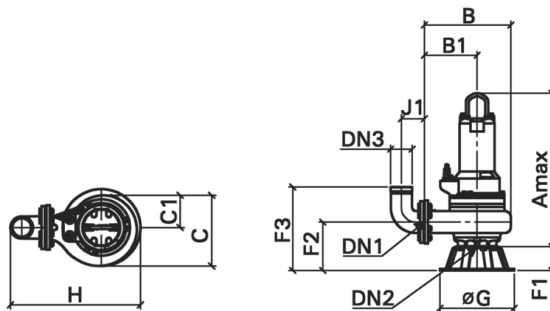
PUMP	COMPONENTS		MATERIAL	
	Impeller	Vortex impeller	Impeller	Grey iron casting EN-GJL-250
	Bearings	Shielded ball bearings	Casing	Grey iron casting EN-GJL-250
	Mechanical Seal	Inside/outside mechanical seal		

TECHNICAL INFORMATION | Motor, Others on the next page →

MOTOR	Motor output kW	2,9	MATERIAL	
	Starting method	direct online	Shaft	Stainless steel EN-X14Cr-Mo-S17
	Type, Poles	Induction motor, 4 poles, IP68	Cable	H07RN8-F PLUS 10G1, 5
	Insulation	Insulation class H	Cable Length	10m
	Phase / Voltage	3-phase / 400V / 50Hz		
	r.p.m.	1450		
	Motor Protector (built-in)	Miniature protector		
	Rated Current	5,9		

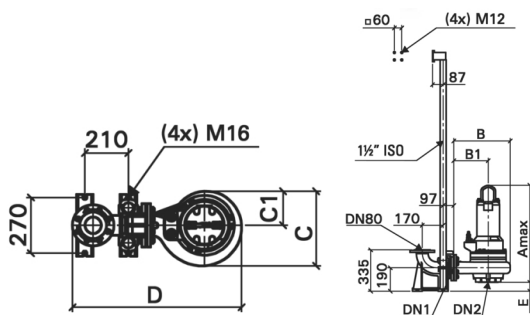
OTHERS	Dry Weight Kg	116.25
	Pressure Resistance	max. 20m

DIMENSIONS



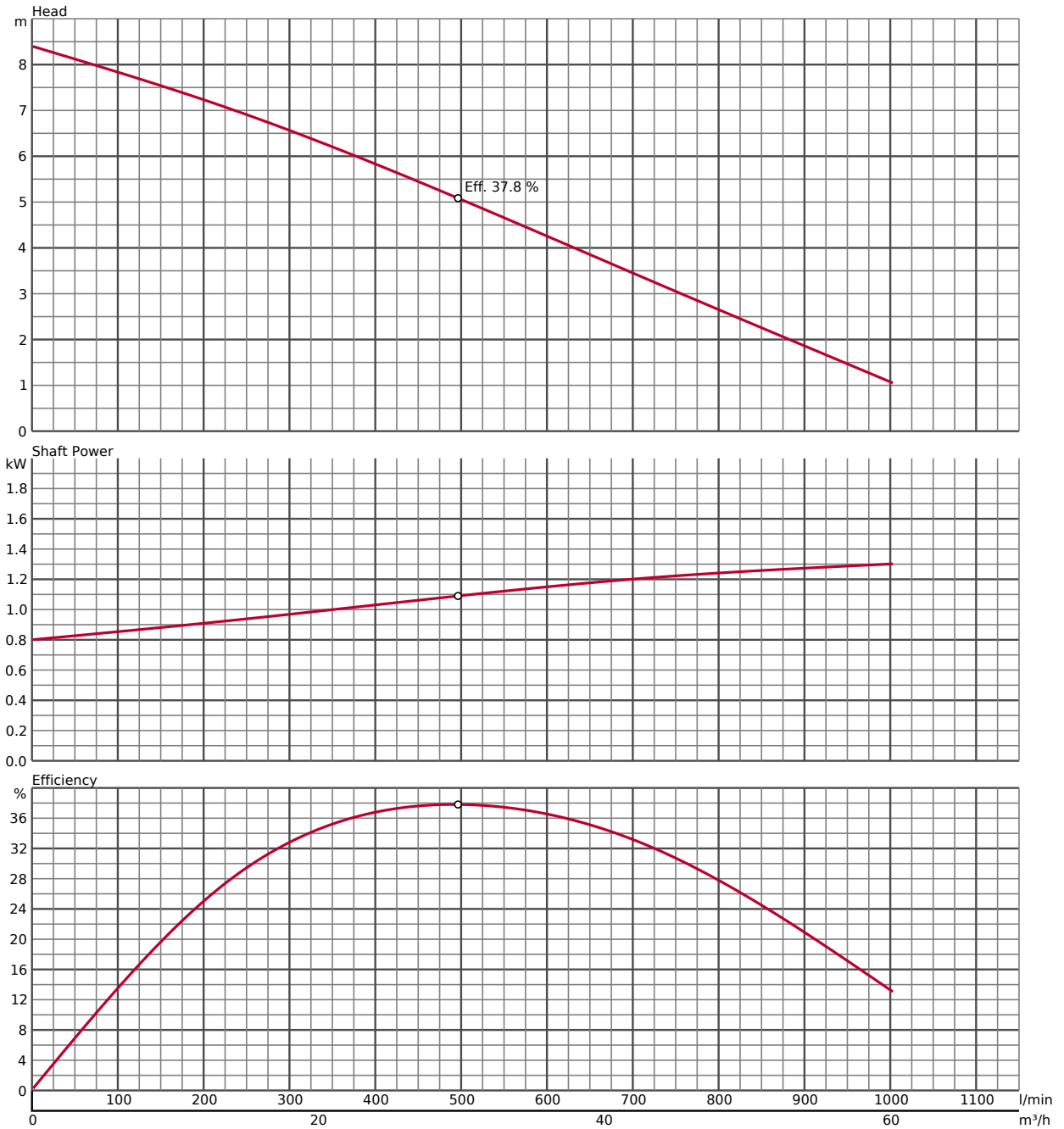
DIMENSIONS - IN MM					
A	722	C1	155	G	395
B	375	DN1	80	H	598
B1	220	DN2	100	J1	137
C	310	DN3	3		

DIMENSIONS | GUIDE RAIL FITTING TYPE



DIMENSIONS GUIDE RAIL FITTING TYPE - IN MM					
A	722	C	310	DN1	80
B	375	C1	155	DN2	100
B1	220	D	742	E	112

PERFORMANCE CURVE



80UPZM42.9LL.pdf | 22.01.2025