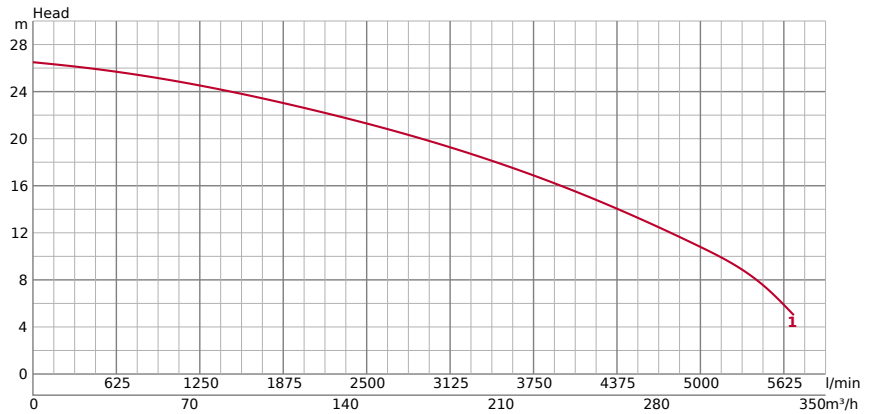


KRSU822



TECHNICAL INFORMATION

GENERAL	Ø Discharge bore mm	200	PUMPING FLUID	Type of Fluid	Drainage
	Discharge Connection	Hose coupling		Temperature	0-40°C
			Max. Solid Handling mm	56	
			Max. PH Value	5-9	
			Max. Capacity l/min	5750	
			Max. Head m	26.50	

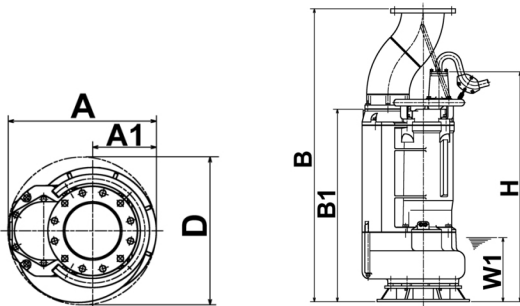
PUMP	COMPONENTS		MATERIAL	
	Impeller	Semi-Vortex impeller	Impeller	Grey iron casting EN-GJL-200
	Bearings	Shielded ball bearings	Casing	Grey iron casting EN-GJL-200
	Mechanical Seal	Dual mechanical seal in oil bath	Suction Plate	Grey iron casting EN-GJL-200
			Pump Body	Grey iron casting EN-GJL-200
			Mechanical Seal	Silicon Carbide

TECHNICAL INFORMATION | Motor, Others on the next page →

MOTOR	Motor output kW	22,0	MATERIAL	
	Starting method	direct online	Frame	Grey iron casting EN-GJL-200
	Type, Poles	Induction motor, 4 poles, IP68	Shaft	Stainless steel EN-X30Cr13
	Insulation	Insulation class F	Cable	NSSHÖU 4C*10mm ²
	Phase / Voltage	3-phase / 400V / 50Hz	Cable Length	20m
	r.p.m.	1455		
	Motor Protector (built-in)	Circle thermal cut-out		
	Rated Current	44.60		
	Voltage Change 400V --> 230V	Internal re-connection (delta)		
	Voltage Change 400V --> 690V	Re-Winding		

OTHERS	Dry Weight Kg	417
	Pressure Resistance	max. 40m

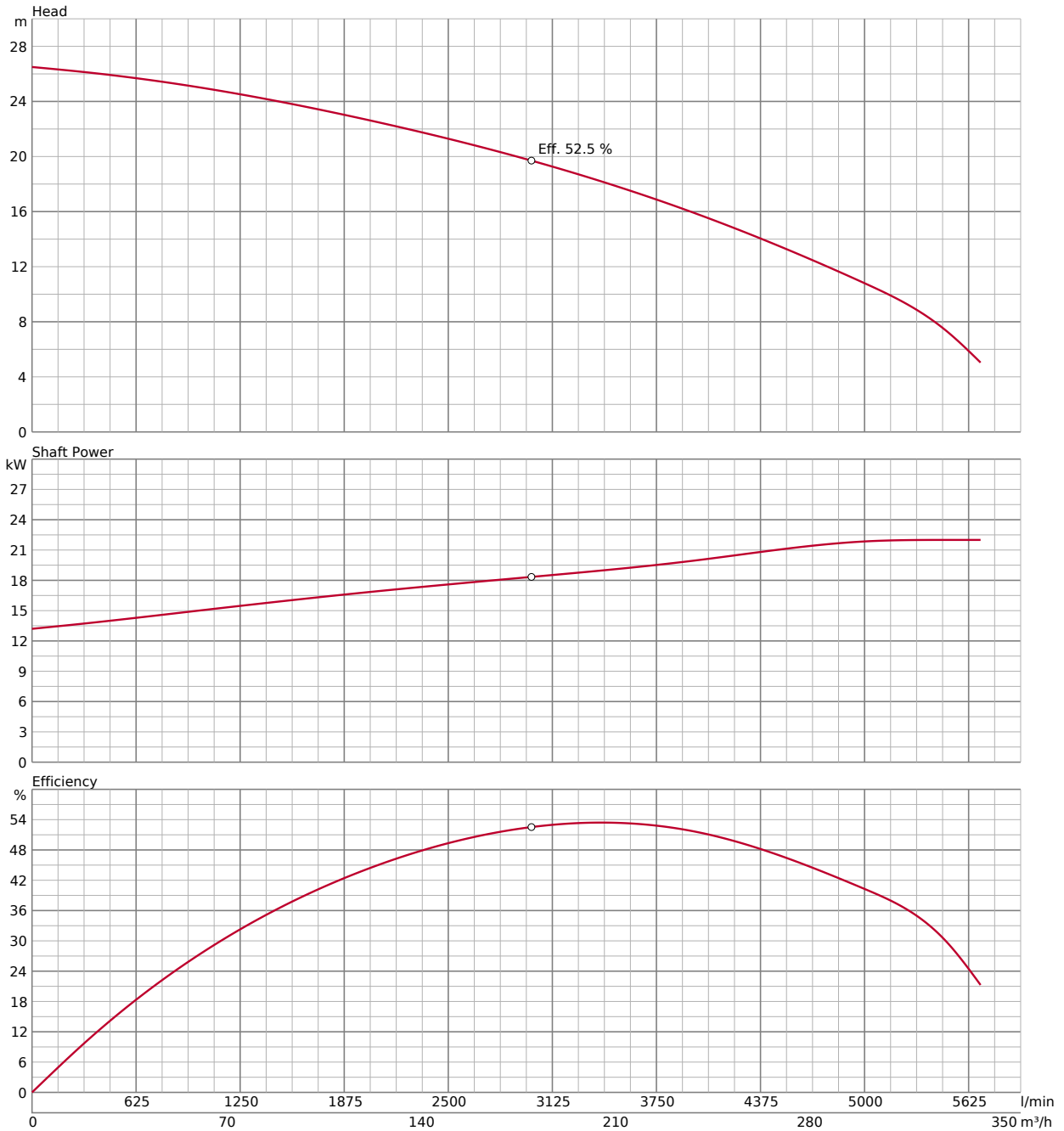
DIMENSIONS



DIMENSIONS - IN MM

A	546	B1	977	H	1167
A1	235	D	547	W1	325
B	1486				

PERFORMANCE CURVE



In the event of abrasive and corrosive utilization, stronger wear and tear will take place naturally in certain components. In this regard, please pay attention to our website www.tsurumi.eu/english/applications.htm.