

Discharge bore mm	Phases	Motor output kW	Head max. m	Capacity max. l/min	Max. solid handling ø mm	ATEX available	PH value
50	3	0,9	20,8	330	-	Yes	5.0-9.0



GENERAL

ø Discharge bore mm	50mm
Discharge Connection	Flange DIN/ANSI DN50 (PN10)
Optional Accessories	Guide rail fitting "TOS" (guide support, duck foot bend, lifting chain) / Bend and stand set for free standing types

PUMP

COMPONENTS

Impeller	Multi-vane channel impeller with cutting mechanism
Shaft Seal	Double mechanical seal
Bearings	Shielded ball bearings

MATERIAL

Impeller	Grey iron casting EN-GJL-250
Casing	Grey iron casting EN-GJL-250
Shaft Seal	SiC and radial ring in oil bath
Cutting device	Stainless steel EN-X39CrMo17-1

PUMPING FLUID

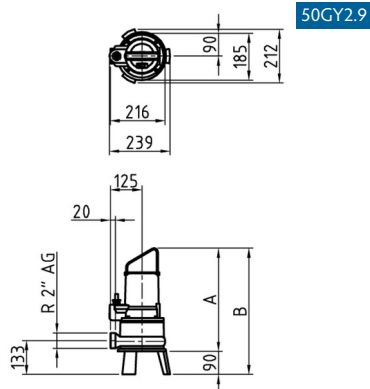
Temperature	0-35°C
Type of Fluid	Municipal sewage

MOTOR

Lubrication	Turbine oil (ISO VG32)
Motor Protector (built-in)	Miniature protector
Type, Poles	Induction motor, 2 poles, IP68
Insulation	Insulation class H
Phase / Voltage	3-phase / 400V / 50Hz / d.o.l.

MATERIAL

Casing	Grey iron casting EN-GJL-250
Shaft	Stainless steel EN-X5CrNiMo17-12-2
Cable	Rubber, 10m H07RN8-F



Model	A
50GY2.9	406

Please mind: discharge bend, duck foot bend and stand set are accessories and must be ordered separately