

Discharge bore mm	Phases	Motor output kW	Head max. m	Capacity max. l/min	Max. solid handling ø mm	ATEX available	PH value
50	3	3,1	38,3	395	-	Yes	5.0-9.0

## GENERAL

ø Discharge bore mm  
Discharge Connection  
Optional Accessories

50mm  
Flange DIN/ANSI DN50 (PN10)  
Guide rail fitting "TOS" (guide support, duck foot bend, lifting chain) / Bend and stand set for free standing types

## PUMP

### COMPONENTS

Impeller  
Shaft Seal  
Bearings

Multi-vane channel impeller with cutting mechanism  
Double mechanical seal  
Shielded ball bearings

### MATERIAL

Impeller  
Casing  
Shaft Seal  
Cutting device

Grey iron casting EN-GJL-250  
Grey iron casting EN-GJL-250  
SiC, upper in oil bath  
Stainless steel EN-X39CrMo17-1

## PUMPING FLUID

Temperature  
Type of Fluid

0-35°C  
Municipal sewage

## MOTOR

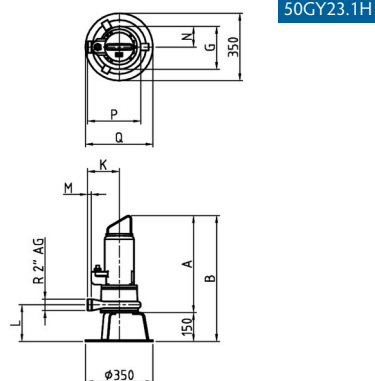
Lubrication  
Motor Protector (built-in)  
Type, Poles  
Insulation  
Phase / Voltage

Turbine oil (ISO VG32)  
Miniature protector  
Induction motor, 2 poles, IP68  
Insulation class H  
3-phase / 400V / 50Hz / d.o.l.

## MATERIAL

Casing  
Shaft  
Cable

Grey iron casting EN-GJL-250  
Stainless steel  
EN-X5CrNiMo17-12-2  
Rubber, 10m H07RN8-F



Model	A	B	G
50GY23.1H	505	655	223

Please mind: discharge bend, duck foot bend and stand set are accessories and must be ordered separately