

Discharge bore mm	50
Phases	3
Motor output kW	4,4
Head max. m	52,0
Capacity max. l/min	355
Max. solid handling ø mm	-
ATEX available	Yes
PH value	5.0-9.0

## GENERAL

ø Discharge bore mm  
Discharge Connection  
Optional Accessories

50mm  
Flange DIN/ANSI DN50 (PN10)  
Guide rail fitting "TOS" (guide support, duck foot bend, lifting chain) / Bend and stand set for free standing types

## PUMP

### COMPONENTS

Impeller  
Shaft Seal  
Bearings

Multi-vane channel impeller with cutting mechanism  
Double mechanical seal  
Shielded ball bearings

### MATERIAL

Impeller  
Casing  
Shaft Seal  
Cutting device

Grey iron casting EN-GJL-250  
Grey iron casting EN-GJL-250  
SiC, upper in oil bath  
Stainless steel EN-X39CrMo17-1

## PUMPING FLUID

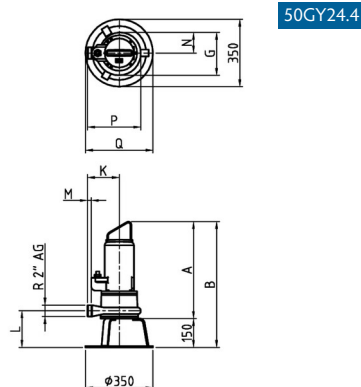
Temperature 0-35°C  
Type of Fluid Municipal sewage

## MOTOR

Lubrication Turbine oil (ISO VG32)  
Motor Protector (built-in) Miniature protector  
Type, Poles Induction motor, 2 poles, IP68  
Insulation Insulation class H  
Phase / Voltage 3-phase / 400V / 50Hz / s.d.

## MATERIAL

Casing Grey iron casting EN-GJL-250  
Shaft Stainless steel EN-X5CrNiMo17-12-2  
Cable Rubber, 10m H07RN8-F



Model	A	B	G
50GY24.4	545	695	250

Please mind: discharge bend, duck foot bend and stand set are accessories and must be ordered separately