

Discharge bore mm	Phases	Motor output kW	Head max. m	Capacity max. l/min	Max. solid handling ø mm	ATEX available	PH value
50	3	1,9	33,2	350	-	Yes	5.0-9.0

GENERAL

ø Discharge bore mm
Discharge Connection
Optional Accessories

50mm
Flange DIN/ANSI DN50 (PN10)
Guide rail fitting "TOS" (guide support, duck foot bend, lifting chain) / Bend and stand set for free standing types

PUMP

COMPONENTS

Impeller
Shaft Seal
Bearings

Multi-vane channel impeller with cutting mechanism
Double mechanical seal
Shielded ball bearings

MATERIAL

Impeller
Casing
Shaft Seal
Cutting device

Grey iron casting EN-GJL-250
Grey iron casting EN-GJL-250
SiC, upper in oil bath
Stainless steel EN-X39CrMo17-1

PUMPING FLUID

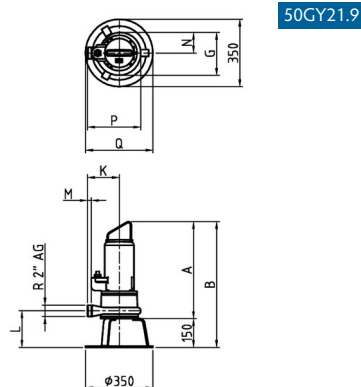
Temperature 0-35°C
Type of Fluid Municipal sewage

MOTOR

Lubrication Turbine oil (ISO VG32)
Motor Protector (built-in) Miniature protector
Type, Poles Induction motor, 2 poles, IP68
Insulation Insulation class H
Phase / Voltage 3-phase / 400V / 50Hz / d.o.l.

MATERIAL

Casing Grey iron casting EN-GJL-250
Shaft Stainless steel EN-X5CrNiMo17-12-2
Cable Rubber, 10m H07RN8-F



Model	A	B	G
50GY21.9	468	618	223

Please mind: discharge bend, duck foot bend and stand set are accessories and must be ordered separately