

|                   |        |                 |             |                     |                          |                |          |
|-------------------|--------|-----------------|-------------|---------------------|--------------------------|----------------|----------|
| Discharge bore mm | Phases | Motor output kW | Head max. m | Capacity max. l/min | Max. solid handling ø mm | ATEX available | PH value |
| 50                | 1      | 1,5             | 30,5        | 195                 | -                        | Yes            | 5.0-9.0  |

## GENERAL

ø Discharge bore mm  
Discharge Connection  
Optional Accessories

50mm  
Flange DIN/ANSI DN50 (PN10)  
Guide rail fitting "TOS" (guide support, duck foot bend, lifting chain) / Bend and stand set for free standing types

## PUMP

### COMPONENTS

Impeller  
Shaft Seal  
Bearings

Multi-vane channel impeller with cutting mechanism  
Double mechanical seal  
Shielded ball bearings

### MATERIAL

Impeller  
Casing  
Shaft Seal  
Cutting device

Grey iron casting EN-GJL-250  
Grey iron casting EN-GJL-250  
SiC, upper in oil bath  
Stainless steel EN-X39CrMo17-1

## PUMPING FLUID

Temperature  
Type of Fluid

0-35°C  
Municipal sewage

## MOTOR

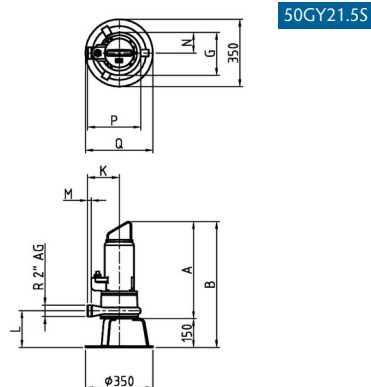
Lubrication  
Motor Protector (built-in)  
Type, Poles  
Insulation  
Phase / Voltage

Turbine oil (ISO VG32)  
Miniature protector  
Induction motor, 2 poles, IP68  
Insulation class H  
Single phase 230V / 50Hz

## MATERIAL

Casing  
Shaft  
Cable

Grey iron casting EN-GJL-250  
Stainless steel  
EN-X5CrNiMo17-12-2  
Rubber, 10m H07RN8-F



| Model     | A   | B   | G   |
|-----------|-----|-----|-----|
| 50GY21.5S | 468 | 618 | 223 |

Please mind: discharge bend, duck foot bend and stand set are accessories and must be ordered separately