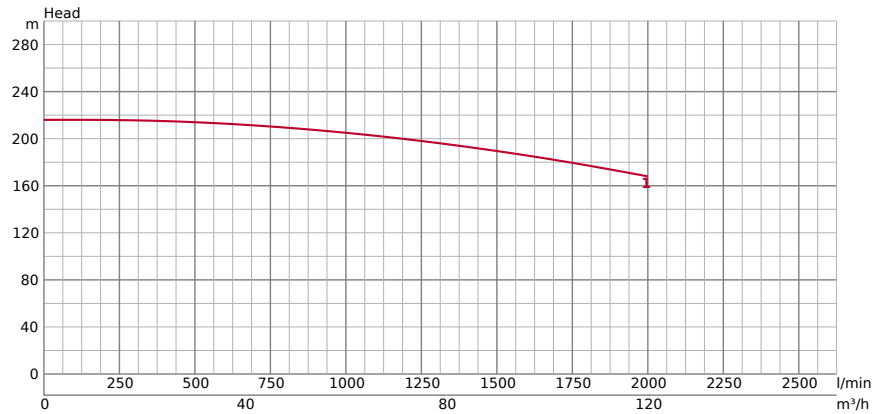


LH4110W



TECHNICAL INFORMATION

GENERAL			PUMPING FLUID		
	∅ Discharge bore mm	100	Type of Fluid	Drainage	
	Discharge Connection	JIS 20K Flange	Temperature	0-40°C	
			Max. Solid Handling mm	8	
			Max. dry matter %	3-5	
			Max. PH Value	5-9	
			Max. Capacity l/min	2000	
			Max. Head m	216	

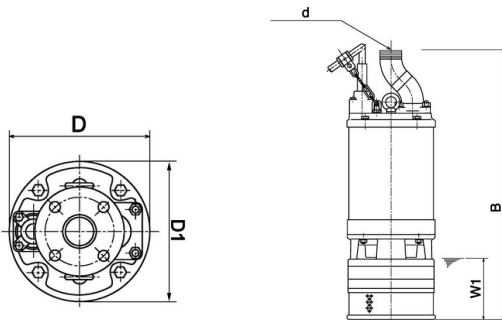
PUMP	COMPONENTS	MATERIAL
	Impeller	Closed type impeller
	Bearings	Shielded ball bearings
	Mechanical Seal	Dual mechanical seal in oil bath
	Impeller	Chromium iron casting
	Casing	Grey iron casting EN-GJL-200
	Suction Plate	Chromium iron casting
	Pump Body	Structured Steel
	Mechanical Seal	Silicon Carbide

TECHNICAL INFORMATION | Motor, Others on the next page →

MOTOR	Motor output kW	110,0	MATERIAL	
	Starting method	star/delta	Frame	Grey iron casting EN-GJL-200
	Suitable for VFD	Yes	Shaft	Stainless steel EN-X30Cr13
	Suitable for Soft Starter	Yes	Cable	NSSHÖU(3C*35mm ² , 3*16mm ² /3E,3*2, 5ST);NSSHÖU (3C*35mm ² , 3*16mm ² /3E)
	Type, Poles	Induction motor, 2 poles, IP68	Cable Length	20m
	Insulation	Insulation class F		
	Phase / Voltage	3-phase / 400V / 50Hz		
	r.p.m.	2965		
	Motor Protector (built-in)	Miniature protector		
	Rated Current	209		
	Voltage Change 400V --> 230V	Re-Winding		
	Voltage Change 400V --> 690V	External connection (star)		

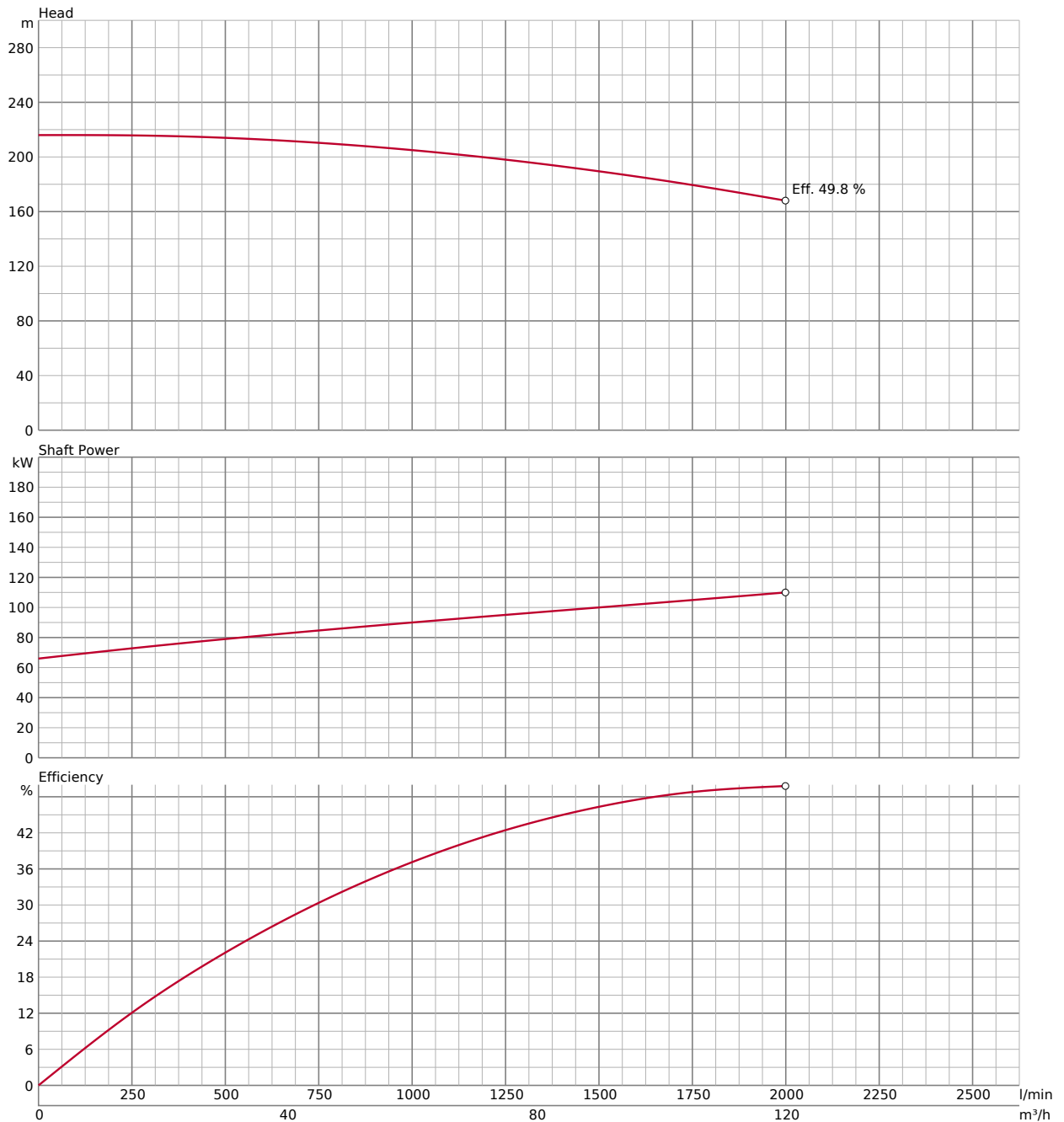
OTHERS	Dry Weight Kg	1270
	Pressure Resistance	max. 50m

DIMENSIONS


DIMENSIONS - IN MM

B	1825	d	100	W1	380
D	616	D1	592		

PERFORMANCE CURVE



In the event of abrasive and corrosive utilization, stronger wear and tear will take place naturally in certain components. In this regard, please pay attention to our website www.tsurumi.eu/english/applications.htm.

ACCESSORIES

FLANGE ADAPTERS **048-TEG-03**

Flange Adapter JIS/DIN

SPECIFICATIONS

No. Of bolt holes	8
-------------------	---

Flange adapter for 4" JIS 20K - 4" DIN PN25

