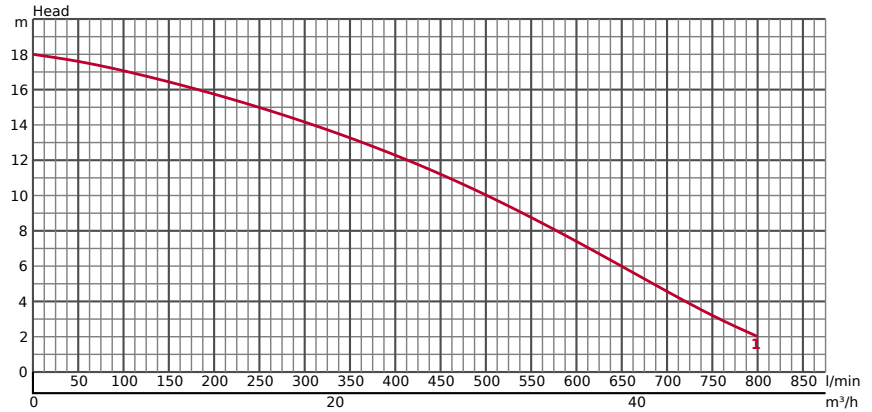


NK3-22L



TECHNICAL INFORMATION

GENERAL			PUMPING FLUID		
Ø Discharge bore mm	80		Type of Fluid	Drainage	
Discharge Connection	Threaded flange/Hose coupling		Temperature	0-40°C	
			Max. Solid Handling mm	8.50	
			Max. dry matter %	10	
			Max. PH Value	5-9	
			Max. Capacity l/min	800	
			Max. Head m	18	

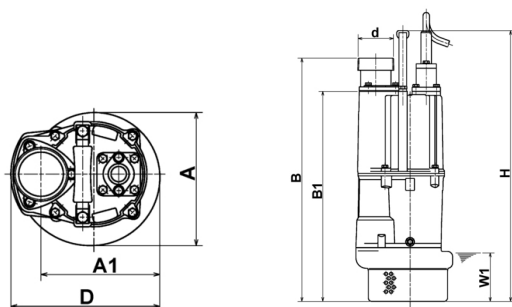
PUMP	COMPONENTS	MATERIAL
Impeller	Semi-Vortex impeller	Impeller Chromium iron casting
Bearings	Shielded ball bearings	Casing Grey iron casting EN-GJL-200
Mechanical Seal	Dual mechanical seal in oil bath	Suction Plate Ductile iron casting EN-GJS-500-7
		Pump Body Cast Aluminium
		Mechanical Seal Silicon Carbide

TECHNICAL INFORMATION | Motor, Others on the next page →

MOTOR	Motor output kW	2,2	MATERIAL	
	Starting method	condensor	Frame	Aluminium alloy casting
	Type, Poles	Induction motor, 2 poles, IP68	Shaft	Stainless steel EN-X30Cr13
	Insulation	Insulation class B	Cable	H07RN8-F 3C*2.5mm ²
	Phase / Voltage	1-phase / 230V / 50Hz	Cable Length	20m
	r.p.m.	2890		
	Motor Protector (built-in)	Circle thermal cut-out		
	Rated Current	14,5		

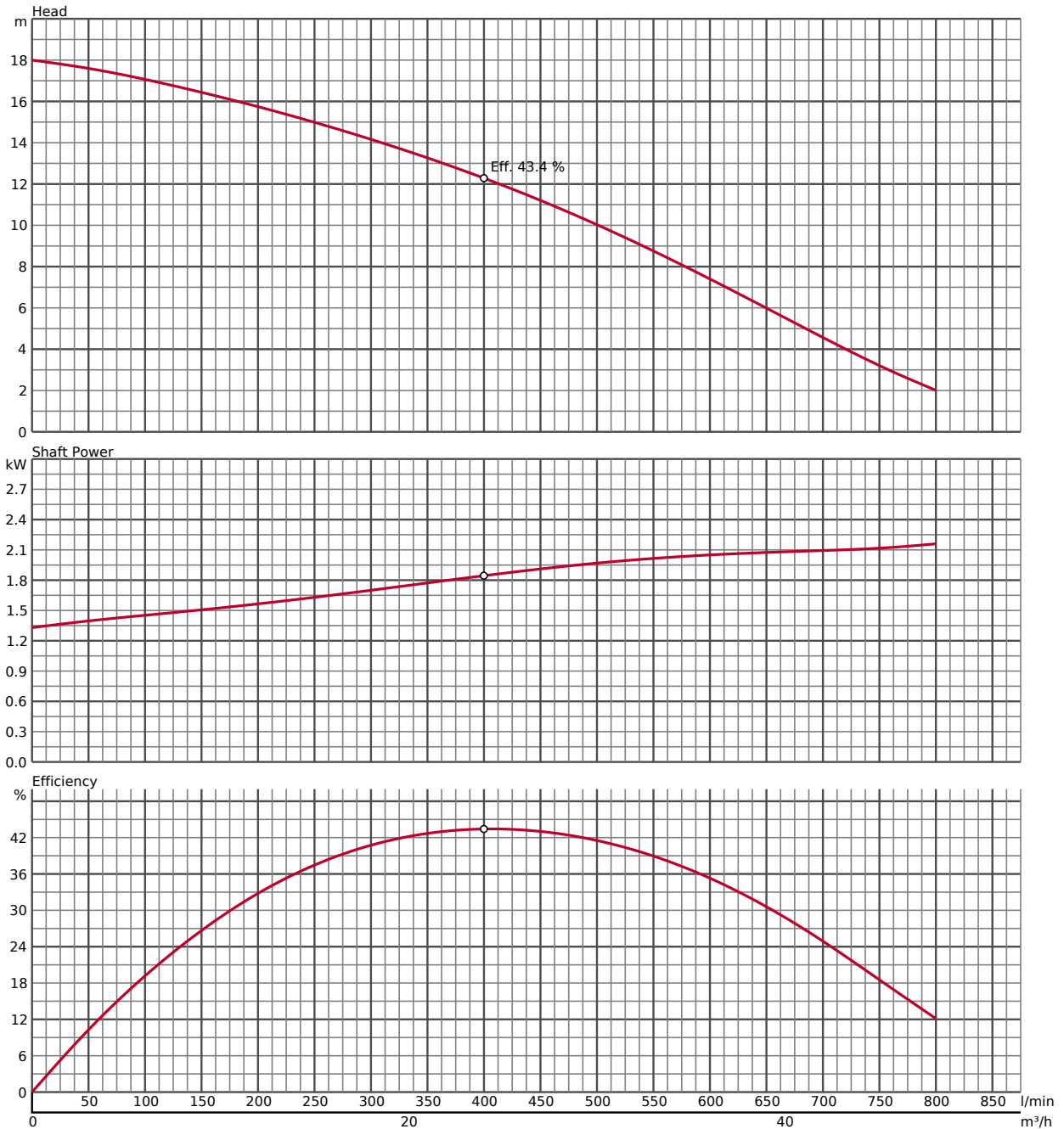
OTHERS	Dry Weight Kg	40
	Pressure Resistance	max. 50m

DIMENSIONS


DIMENSIONS - IN MM

A	235	B1	519	H	669
A1	191	D	216	W1	120
B	601	d	80		

PERFORMANCE CURVE



In the event of abrasive and corrosive utilization, stronger wear and tear will take place naturally in certain components. In this regard, please pay attention to our website www.tsurumi.eu/english/applications.htm.