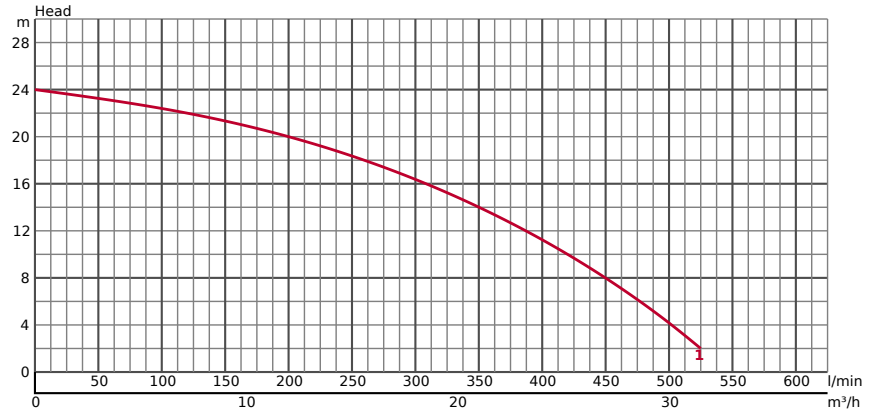


NK4-22



TECHNICAL INFORMATION

GENERAL			PUMPING FLUID		
Ø Discharge bore mm	50		Type of Fluid	Drainage	
Discharge Connection	Threaded flange/Hose coupling		Temperature	0-40°C	
			Max. Solid Handling mm	8.50	
			Max. dry matter %	10	
			Max. PH Value	5-9	
			Max. Capacity l/min	525	
			Max. Head m	24	

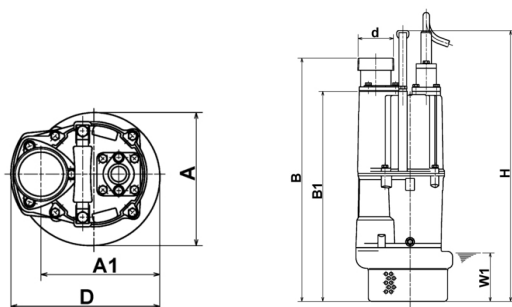
PUMP	COMPONENTS	MATERIAL
Impeller	Semi-Vortex impeller	Impeller
Bearings	Shielded ball bearings	Ductile iron casting EN-GJS-700-2
Mechanical Seal	Dual mechanical seal in oil bath	Casing
		BR+natural rubber
		Pump Body
		Cast Aluminium
		Mechanical Seal
		Silicon Carbide

TECHNICAL INFORMATION | Motor, Others on the next page →

MOTOR		MATERIAL	
Motor output kW	2,2	Frame	Aluminium alloy casting
Starting method	condensor	Shaft	Stainless steel EN-X6Cr13
Type, Poles	Induction motor, 2 poles, IP68	Cable	H07RN8-F 3C*2.5mm ²
Insulation	Insulation class F	Cable Length	20m
Phase / Voltage	1-phase / 230V / 50Hz		
r.p.m.	2876		
Motor Protector (built-in)	Circle thermal cut-out		
Rated Current	14,6		

OTHERS	
Dry Weight Kg	29
Pressure Resistance	max. 50m

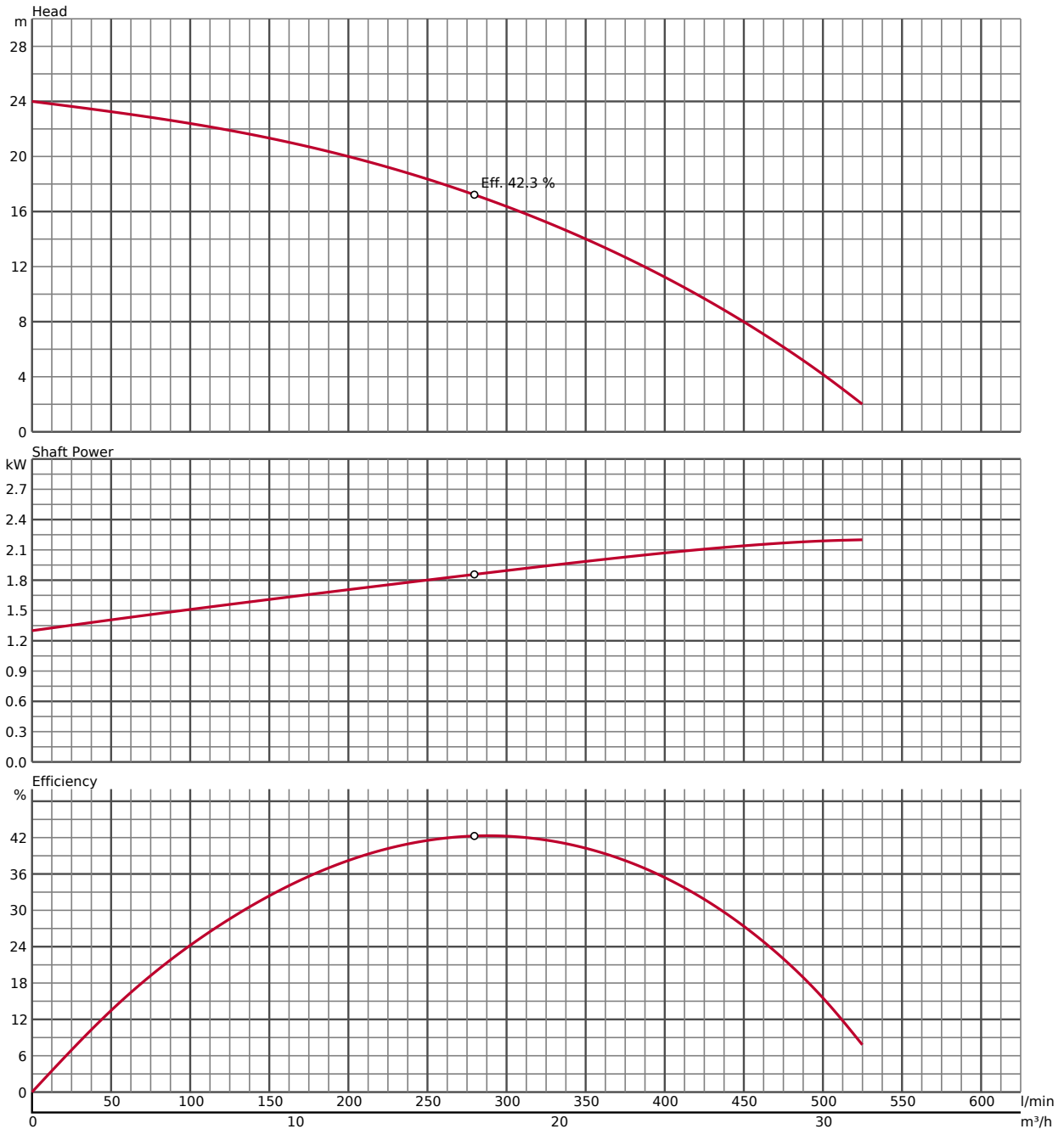
DIMENSIONS



DIMENSIONS - IN MM

A	240	B1	464	H	614
A1	194	D	243	W1	80
B	546	d	50		

PERFORMANCE CURVE



In the event of abrasive and corrosive utilization, stronger wear and tear will take place naturally in certain components. In this regard, please pay attention to our website www.tsurumi.eu/english/applications.htm.