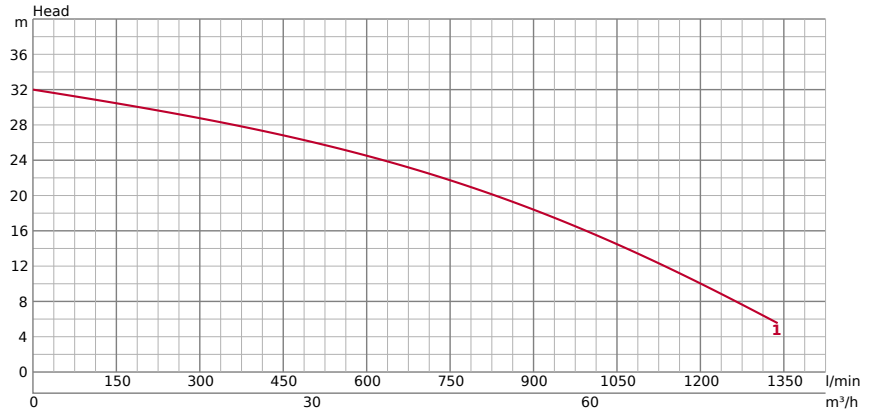


80C25.5-CR



TECHNICAL INFORMATION

GENERAL	Ø Discharge bore mm	80mm	PUMPING FLUID	Type of Fluid	Sewage
	Discharge Connection	Inside thread, JIS10K flange		Temperature	0-40°C
			Max. Solid Handling mm	29 x 23	
			Max. PH Value	5-9	
			Max. Capacity l/min	1340	
			Max. Head m	32	

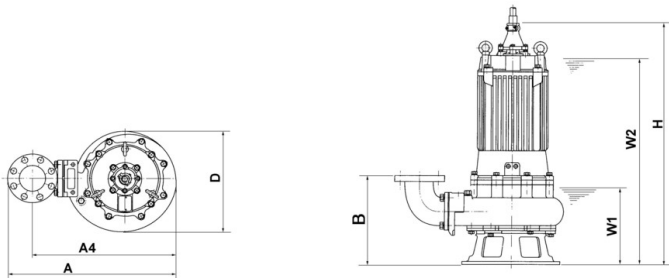
PUMP	COMPONENTS		MATERIAL	
	Impeller	Non-clog impeller with cutter mechanism	Impeller	Chromium iron casting with sintered tungsten carbide alloy tip
	Bearings	Shielded ball bearings	Casing	Grey iron casting EN-GJL-200
	Mechanical Seal	Dual mechanical seal in oil bath	Suction Plate	Chromium iron casting
			Pump Body	Grey iron casting EN-GJL-200
			Mechanical Seal	Silicon Carbide

TECHNICAL INFORMATION | Motor, Others on the next page →

MOTOR	Motor output kW	5,5	MATERIAL	
	Starting method	direct online	Frame	Grey iron casting EN-GJL-200
	Suitable for VFD	Yes	Shaft	Stainless steel EN-X30Cr13
	Suitable for Soft Starter	Yes	Cable	NSSHÖU 4C*2. 5mm ²
	Type, Poles	Induction motor, 2 poles, IP68	Cable Length	10m
	Insulation	Insulation class F		
	Phase / Voltage	3-phase / 400V / 50Hz		
	r.p.m.	2945		
	Motor Protector (built-in)	Circle thermal cut-out		
	Rated Current	11.60		

OTHERS	Dry Weight Kg	120
	Pressure Resistance	max. 30m

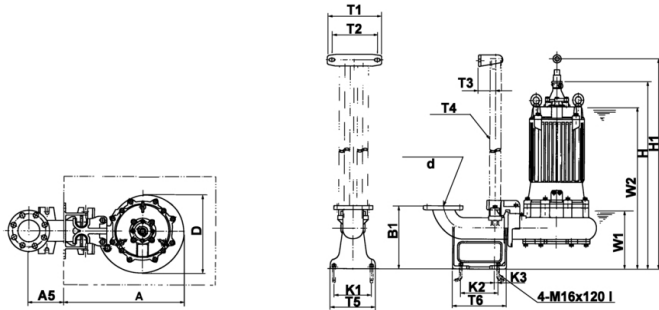
DIMENSIONS



DIMENSIONS - IN MM

A	615	D	345	W1	225
A4	522	H	879	W2	745
B	320				

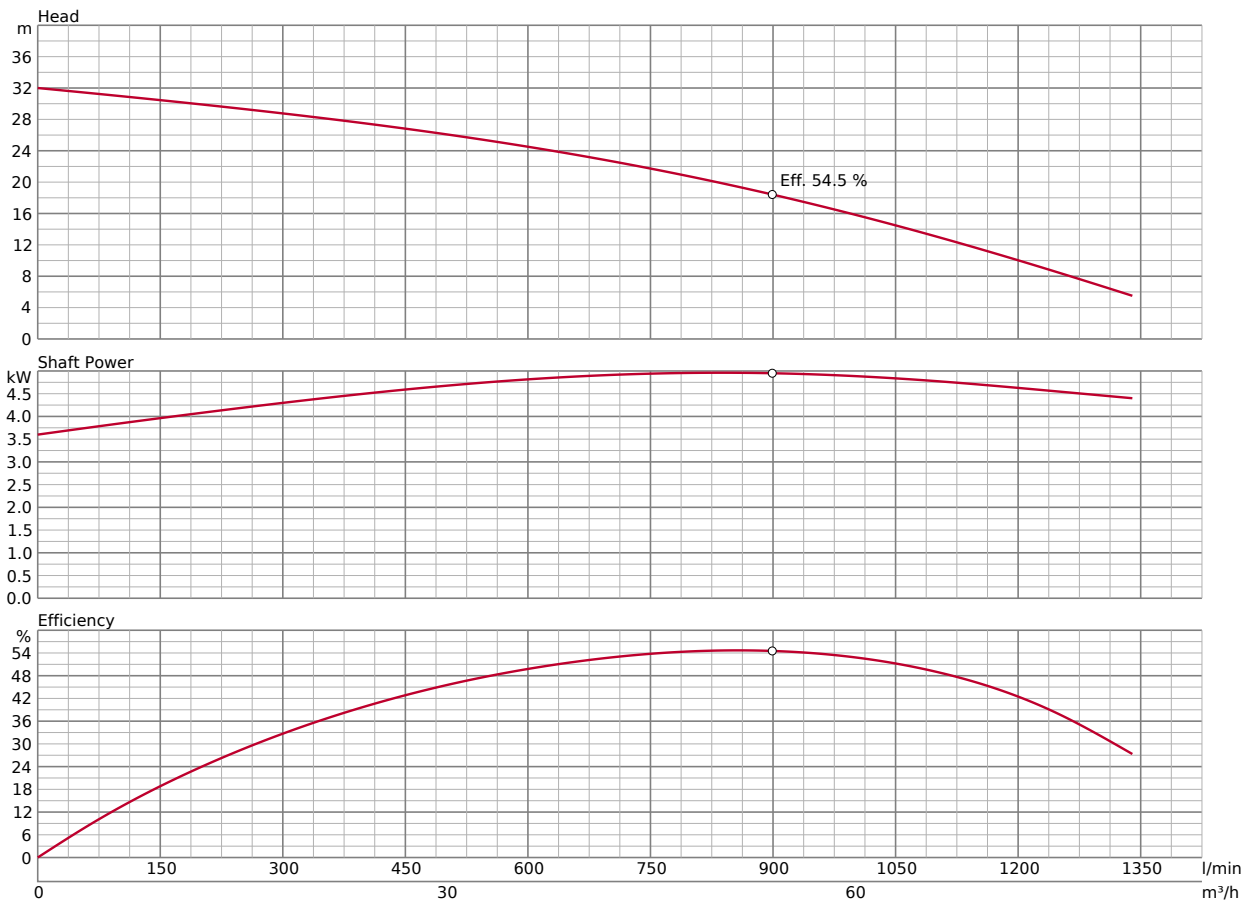
DIMENSIONS | GUIDE RAIL FITTING TYPE



DIMENSIONS | GUIDE RAIL FITTING TYPE - IN MM

A	530	H	877	W1	220
A5	165	H1	1200	W2	745
D	320				

PERFORMANCE CURVE



Please mind: discharge bend, duck foot bend and stand set are accessories and must be ordered separately

ACCESSORIES

FLOAT SWITCH 106-TEG-01

Float 10m (for Sewage Pumps) from 3.7kW

Automatic Operation: Activates the submersible pump when water levels rise to a preset height and deactivates it when levels drop, preventing overflow or pump damage.



FLOAT SWITCH 106-TEG-02

Float 20m (for Sewage Pumps) from 3.7kW

Automatic Operation: Activates the submersible pump when water levels rise to a preset height and deactivates it when levels drop, preventing overflow or pump damage.



MOTOR PROTECTION PLUGS 547151603tu

Plug CEE 16A

SPECIFICATIONS

Amperage Control	10,0A - 16,0A	IP	44
Cable Gland	M25		

Rotary lever actuation, motor protection with adjustment of the respective rated current, with phase turner and rotary field control, cable gland, Overload Protection: Automatically disconnects the motor in case of excessive current draw, preventing over



ACCESSORIES

MOTOR PROTECTION PLUGS **547251603tu**

Plug CEE 32 A

SPECIFICATIONS

Amperage Control	10,0A - 16,0A	IP	44
Cable Gland	M32		

Rotary lever actuation, motor protection with adjustment of the respective rated current, with phase turner and rotary field control, cable gland, Overload Protection: Automatically disconnects the motor in case of excessive current draw, preventing over



MOTOR PROTECTION PLUGS **5571512000tu**

Plug with float connection CEE 16A

SPECIFICATIONS

Amperage Control	9,0A - 12,0A	IP	44
Cable Gland	M25		

Rocker switch ON/OFF (HAND/AUTO), motor protection with adjustment of the respective rated current, contactor max. 7,5kW, with phase inverter, operating display and rotation field check cable gland for float switch and Power cable Overload Protection: Aut



MOTOR PROTECTION PLUGS **5572512000tu**

Plug with float connection CEE 32A

SPECIFICATIONS

Amperage Control	9,0A - 12,0A	IP	44
Cable Gland	M32		

Rocker switch ON/OFF (HAND/AUTO), motor protection with adjustment of the respective rated current, contactor max. 7,5kW, with phase inverter, operating display and rotation field check cable gland for float switch and Power cable Overload Protection: Aut



ACCESSORIES

MOTOR PROTECTION PLUGS **587151603**

CEE MS PW Stecker 16/5 6h 10-16A DFK IP67

SPECIFICATIONS

Amperage Control	10,0A - 16,0A	IP	67
Cable Gland	M25		

Rotary lever actuation, motor protection with adjustment of the respective rated current, with phase turner and rotary field control, cable gland, Overload Protection: Automatically disconnects the motor in case of excessive current draw, preventing over



MOTOR PROTECTION PLUGS **587251603**

CEE MS PW Stecker 32/5 6h 10-16A DFK IP67

SPECIFICATIONS

Amperage Control	10,0A - 16,0A	IP	67
Cable Gland	M32		

Rotary lever actuation, motor protection with adjustment of the respective rated current, with phase turner and rotary field control, cable gland, Overload Protection: Automatically disconnects the motor in case of excessive current draw, preventing over



FREE STAND INSTALLATION KIT **XIBEND80**

BEND 80-80

Discharge/elbow for vertical pumping



ACCESSORIES

FREE STAND INSTALLATION KIT **XISTAND** STAND SET

Device for free standing installation



GUIDE RAIL FITTING SYSTEM **XITSH811** TOSH-80

TOS is the basic guide-rail fitting system for Tsurumi pumps up 150mm discharge bore.

