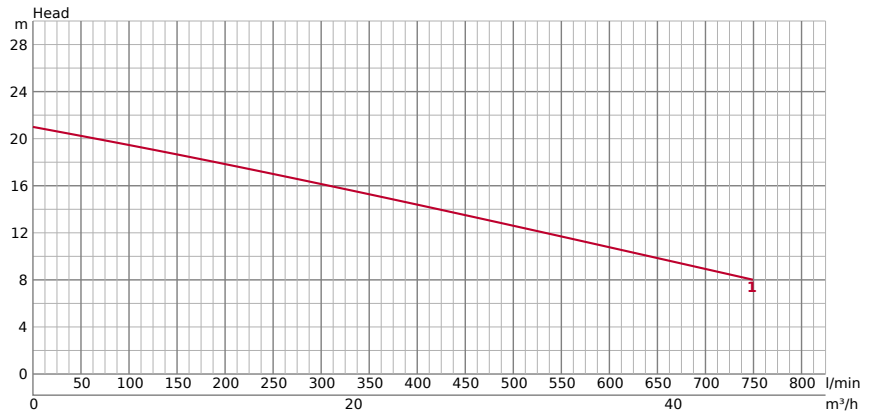


80C22.2-CR

TECHNICAL INFORMATION

GENERAL	Ø Discharge bore mm	80mm	PUMPING FLUID	Type of Fluid	Sewage
	Discharge Connection	Inside thread, JIS10K flange		Temperature	0-40°C
			Max. Solid Handling mm	22 x 31	
			Max. PH Value	5-9	
			Max. Capacity l/min	750	
			Max. Head m	21	

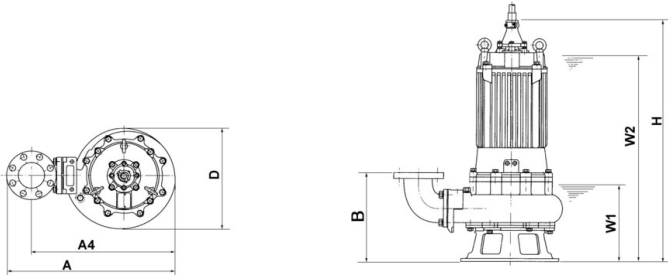
PUMP	COMPONENTS		MATERIAL	
	Impeller	Non-clog impeller with cutter mechanism	Impeller	Chromium iron casting with sintered tungsten carbide alloy tip
	Bearings	Shielded ball bearings	Casing	Grey iron casting EN-GJL-200
	Mechanical Seal	Dual mechanical seal in oil bath	Suction Plate	Chromium iron casting
			Pump Body	Grey iron casting EN-GJL-150
			Mechanical Seal	Silicon Carbide

TECHNICAL INFORMATION | Motor, Others on the next page →

MOTOR	Motor output kW	2,2	MATERIAL	
	Starting method	direct online	Frame	Grey iron casting EN-GJL-150
	Suitable for VFD	Yes	Shaft	Stainless steel EN-X30Cr13
	Suitable for Soft Starter	Yes	Cable	NSSHÖU 4C*1. 5mm ²
	Type, Poles	Induction motor, 2 poles, IP68	Cable Length	10m
	Insulation	Insulation class F		
	Phase / Voltage	3-phase / 400V / 50Hz		
	r.p.m.	2935		
	Motor Protector (built-in)	Circle thermal cut-out		
	Rated Current	5.40		

OTHERS	Dry Weight Kg	70
	Pressure Resistance	max. 30m

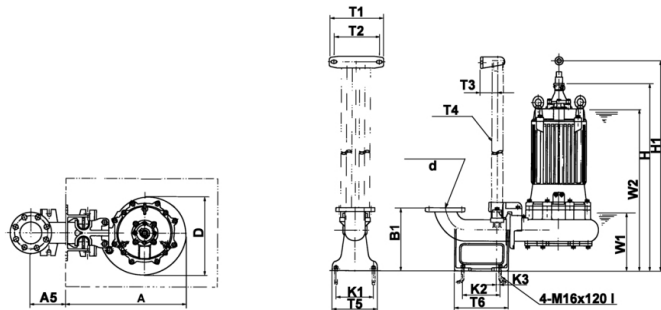
DIMENSIONS



DIMENSIONS - IN MM

A	519	D	260	W1	180
A4	427	H	611	W2	565
B	289				

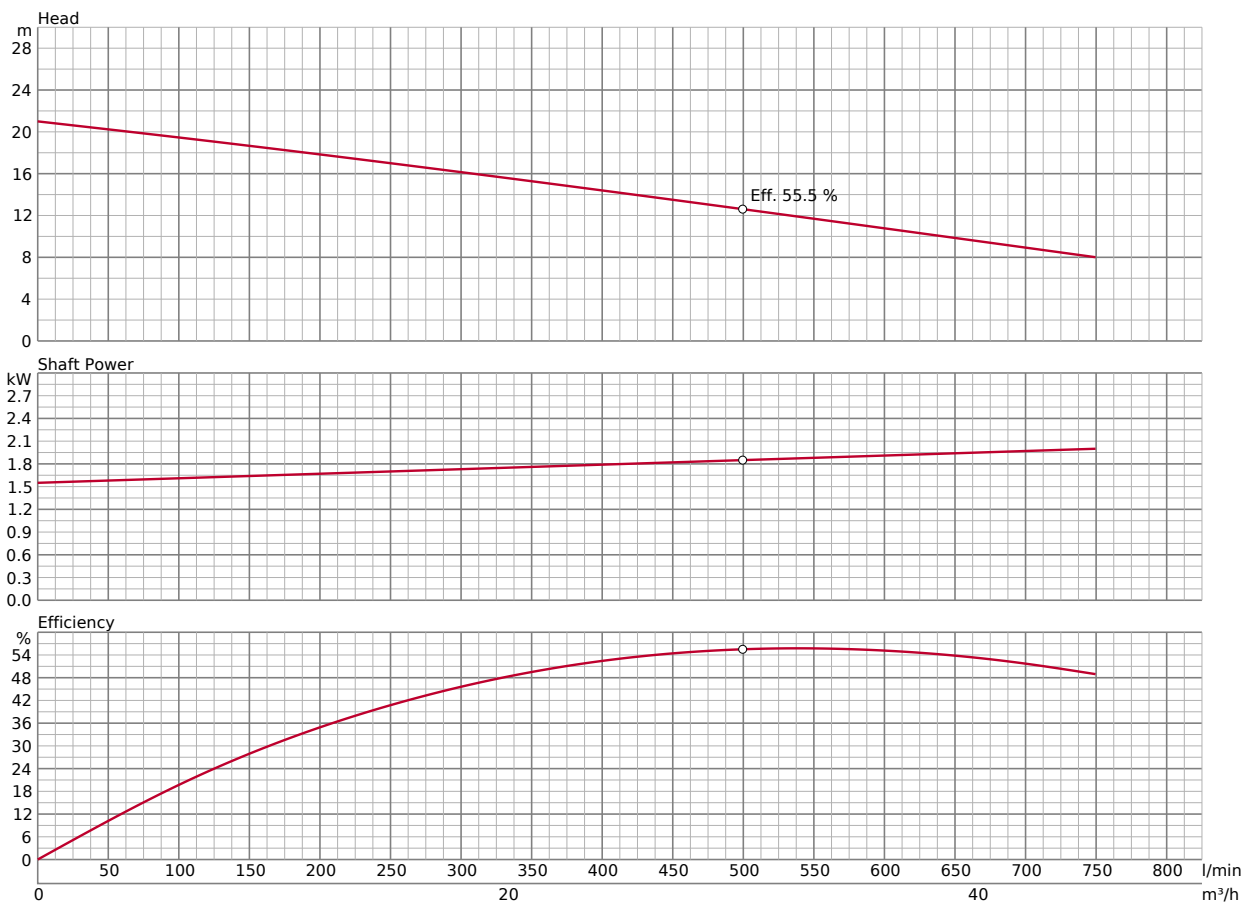
DIMENSIONS | GUIDE RAIL FITTING TYPE



DIMENSIONS | GUIDE RAIL FITTING TYPE - IN MM

A	435	H	640	W1	205
A5	165	H1	860	W2	595
D	260				

PERFORMANCE CURVE



Please mind: discharge bend, duck foot bend and stand set are accessories and must be ordered separately

ACCESSORIES

FLOAT SWITCH 106-TEG-03

Float 10m (for Sewage Pumps) up to 2.2kW

Automatic Operation: Activates the submersible pump when water levels rise to a preset height and deactivates it when levels drop, preventing overflow or pump damage.



MOTOR PROTECTION PLUGS 547150633tu

Plug CEE 16A

SPECIFICATIONS

Amperage Control	4,0A - 6,3A	IP	44
Cable Gland	M25		

Rotary lever actuation, motor protection with adjustment of the respective rated current, with phase turner and rotary field control, cable gland, Overload Protection: Automatically disconnects the motor in case of excessive current draw, preventing over



MOTOR PROTECTION PLUGS 547250633tu

Plug CEE 32 A

SPECIFICATIONS

Amperage Control	4,0A - 6,3A	IP	44
Cable Gland	M32		

Rotary lever actuation, motor protection with adjustment of the respective rated current, with phase turner and rotary field control, cable gland, Overload Protection: Automatically disconnects the motor in case of excessive current draw, preventing over



ACCESSORIES

MOTOR PROTECTION PLUGS 5571502400tu

Plug with float connection CEE 16A

SPECIFICATIONS

Amperage Control	2,4A - 4,0A	IP	44
Cable Gland	M25		

Rocker switch ON/OFF (HAND/AUTO), motor protection with adjustment of the respective rated current, contactor max. 7,5kW, with phase inverter, operating display and rotation field check cable gland for float switch and Power cable Overload Protection: Aut



MOTOR PROTECTION PLUGS 5571506000tu

Plug with float connection CEE 16A

SPECIFICATIONS

Amperage Control	4,0A - 6,0A	IP	44
Cable Gland	M25		

Rocker switch ON/OFF (HAND/AUTO), motor protection with adjustment of the respective rated current, contactor max. 7,5kW, with phase inverter, operating display and rotation field check cable gland for float switch and Power cable Overload Protection: Aut



MOTOR PROTECTION PLUGS 5572502400tu

Plug with float connection CEE 32A

SPECIFICATIONS

Amperage Control	2,4A - 4,0A	IP	44
Cable Gland	M32		

Rocker switch ON/OFF (HAND/AUTO), motor protection with adjustment of the respective rated current, contactor max. 7,5kW, with phase inverter, operating display and rotation field check cable gland for float switch and Power cable Overload Protection: Aut



ACCESSORIES

MOTOR PROTECTION PLUGS **5572506000tu**

Plug with float connection CEE 32A

SPECIFICATIONS

Amperage Control	4,0A - 6,0A	IP	44
Cable Gland	M32		

Rocker switch ON/OFF (HAND/AUTO), motor protection with adjustment of the respective rated current, contactor max. 7,5kW, with phase inverter, operating display and rotation field check cable gland for float switch and Power cable Overload Protection: Aut



MOTOR PROTECTION PLUGS **587150403**

CEE MS PW Stecker 16/5 6h 2.5-4.0A DFK IP67

SPECIFICATIONS

Amperage Control	2,5A - 4,0A	IP	67
Cable Gland	M25		

Rotary lever actuation, motor protection with adjustment of the respective rated current, with phase turner and rotary field control, cable gland, Overload Protection: Automatically disconnects the motor in case of excessive current draw, preventing over



MOTOR PROTECTION PLUGS **587150633**

CEE MS PW Stecker 16/5 6h 4.0-6.3A DFK IP67

SPECIFICATIONS

Amperage Control	4,0A - 6,3A	IP	67
Cable Gland	M25		

Rotary lever actuation, motor protection with adjustment of the respective rated current, with phase turner and rotary field control, cable gland, Overload Protection: Automatically disconnects the motor in case of excessive current draw, preventing over



ACCESSORIES

MOTOR PROTECTION PLUGS **587250403**

CEE MS PW Stecker 32/5 6h 2.5-4.0A DFK IP67

SPECIFICATIONS

Amperage Control	2,5A - 4,0A	IP	67
Cable Gland	M32		

Rotary lever actuation, motor protection with adjustment of the respective rated current, with phase turner and rotary field control, cable gland, Overload Protection: Automatically disconnects the motor in case of excessive current draw, preventing over



MOTOR PROTECTION PLUGS **587250633**

CEE MS PW Stecker 32/5 6h 4.0-6.3A DFK IP67

SPECIFICATIONS

Amperage Control	4,0A - 6,3A	IP	67
Cable Gland	M32		

Rotary lever actuation, motor protection with adjustment of the respective rated current, with phase turner and rotary field control, cable gland, Overload Protection: Automatically disconnects the motor in case of excessive current draw, preventing over



FREE STAND INSTALLATION KIT **XIBEND80**

BEND 80-80

Discharge/elbow for vertical pumping



ACCESSORIES

GUIDE RAIL FITTING SYSTEM **XITSH811** TOSH-80

TOS is the basic guide-rail fitting system for Tsurumi pumps up 150mm discharge bore.

