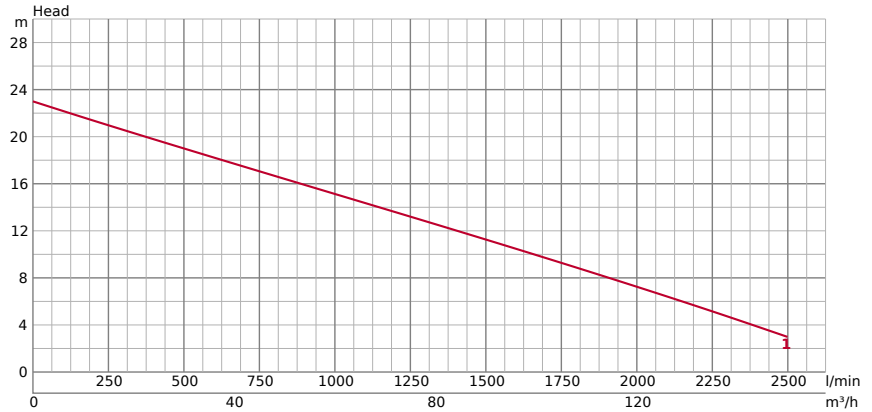


100C47.5



TECHNICAL INFORMATION

GENERAL		PUMPING FLUID	
<b>Ø Discharge bore mm</b>	100mm	<b>Type of Fluid</b>	Sewage
<b>Discharge Connection</b>	Inside thread, JIS10K flange	<b>Temperature</b>	0-40°C
		<b>Max. Solid Handling mm</b>	76 x 69
		<b>Max. PH Value</b>	5-9
		<b>Max. Capacity l/min</b>	2500
		<b>Max. Head m</b>	23

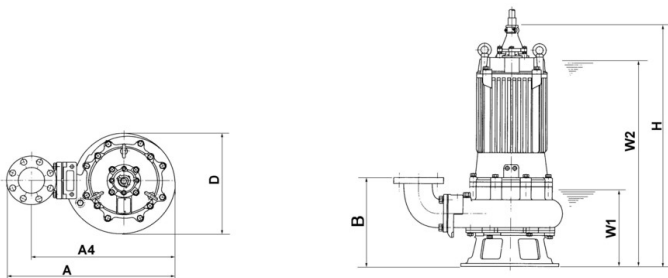
TECHNICAL INFORMATION | Pump, Motor, Others on the next page →

PUMP	COMPONENTS		MATERIAL	
	<b>Impeller</b>	Non-clog impeller with cutter mechanism	<b>Impeller</b>	Grey iron casting EN-GJL-200 with sintered tungsten carbide alloy tip
	<b>Bearings</b>	Shielded ball bearings	<b>Casing</b>	Grey iron casting EN-GJL-200
	<b>Mechanical Seal</b>	Dual mechanical seal in oil bath	<b>Suction Plate</b>	Ductile iron casting EN-GJS-700-2
		<b>Pump Body</b>	Grey iron casting EN-GJL-200	
		<b>Mechanical Seal</b>	Silicon Carbide	

MOTOR			MATERIAL	
	<b>Motor output kW</b>	7,5	<b>Frame</b>	Grey iron casting EN-GJL-200
	<b>Starting method</b>	direct online	<b>Shaft</b>	Stainless steel EN-X30Cr13
	<b>Suitable for VFD</b>	Yes	<b>Cable</b>	NSSHÖU 4C*2. 5mm <sup>2</sup>
	<b>Suitable for Soft Starter</b>	Yes	<b>Cable Length</b>	10m
	<b>Type, Poles</b>	Induction motor, 4 poles, IP68		
	<b>Insulation</b>	Insulation class F		
	<b>Phase / Voltage</b>	3-phase / 400V / 50Hz		
	<b>r.p.m.</b>	1453		
	<b>Motor Protector (built-in)</b>	Circle thermal cut-out		
<b>Rated Current</b>	16.40			

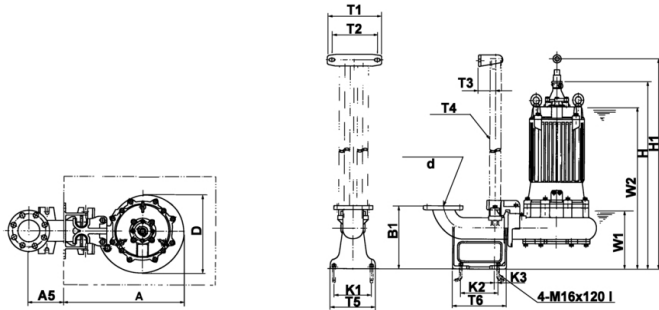
OTHERS		
<b>Dry Weight Kg</b>	144	
<b>Pressure Resistance</b>	max. 30m	

## DIMENSIONS


**DIMENSIONS - IN MM**

<b>A</b>	687	<b>D</b>	400	<b>W1</b>	335
<b>A4</b>	582	<b>H</b>	814	<b>W2</b>	720
<b>B</b>	372				

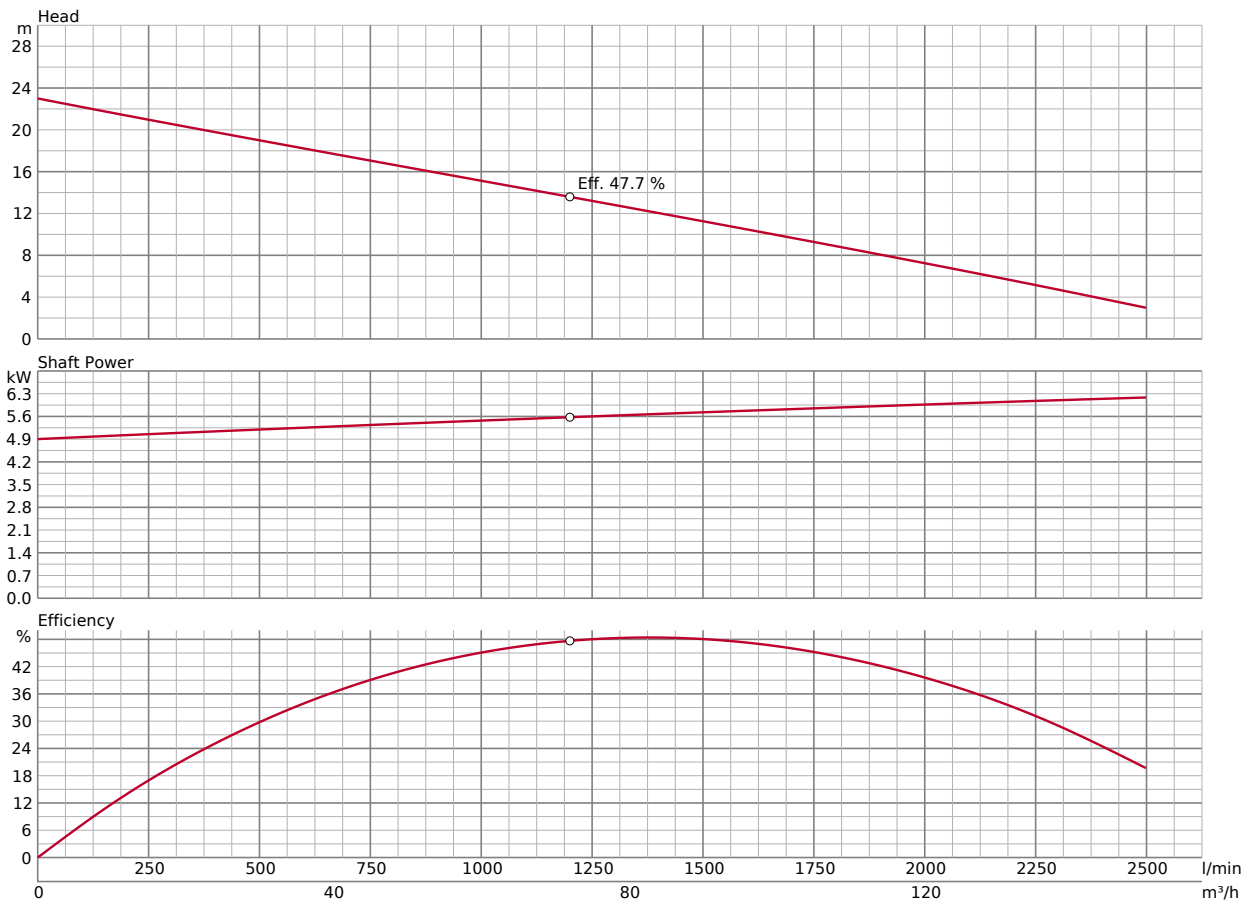
**DIMENSIONS | GUIDE RAIL FITTING TYPE**



**DIMENSIONS | GUIDE RAIL FITTING TYPE - IN MM**

<b>A</b>	619	<b>H</b>	812	<b>W1</b>	305
<b>A5</b>	181	<b>H1</b>	1155	<b>W2</b>	710
<b>D</b>	384				

**PERFORMANCE CURVE**



Please mind: discharge bend, duck foot bend and stand set are accessories and must be ordered separately

## ACCESSORIES

---

### PUMP DISCHARGE **048-108-10 + 121-105-33 (1x) + 140-130-36 (8x)**

3" Screwed Flange JIS10Kx80mm

3" screwed-in mating flange

### OIL LEAKAGE SENSOR **TSS-TEG-10**

TSS Seal Oil Sensor M10 (10m)

Externally mounted leak sensors for water detection inside of oil chamber. Please note, an additional relay e.g. finder needs to be installed.



### FLOAT SWITCH **106-TEG-01**

Float 10m (for Sewage Pumps) from 3.7kW

Automatic Operation: Activates the submersible pump when water levels rise to a preset height and deactivates it when levels drop, preventing overflow or pump damage.



## ACCESSORIES

### FLOAT SWITCH **106-TEG-02**

Float 20m (for Sewage Pumps) from 3.7kW

Automatic Operation: Activates the submersible pump when water levels rise to a preset height and deactivates it when levels drop, preventing overflow or pump damage.



### MOTOR PROTECTION PLUGS **547252003tu**

Plug CEE 32 A

#### SPECIFICATIONS

<b>Amperage Control</b>	16,0A - 20,0A	<b>IP</b>	44
<b>Cable Gland</b>	M32		

Rotary lever actuation, motor protection with adjustment of the respective rated current, with phase turner and rotary field control, cable gland, Overload Protection: Automatically disconnects the motor in case of excessive current draw, preventing over



### MOTOR PROTECTION PLUGS **587252003**

CEE MS PW Stecker 32/5 6h 16-20A DFK IP67

#### SPECIFICATIONS

<b>Amperage Control</b>	16,0A - 20,0A	<b>IP</b>	67
<b>Cable Gland</b>	M32		

Rotary lever actuation, motor protection with adjustment of the respective rated current, with phase turner and rotary field control, cable gland, Overload Protection: Automatically disconnects the motor in case of excessive current draw, preventing over



## ACCESSORIES

### MOTOR PROTECTION PLUGS **9216211**

Plug with float connection CEE 32A w/z rotary switch

#### SPECIFICATIONS

<b>Amperage Control</b>	16,0A - 20,0A	<b>IP</b>	54
<b>Cable Gland</b>	M32, 2 x M16		

rotary switch (I-0-II), protection with adjustment of the respective rated current, contactor: 12,5kW, with phase inverter, operating display and rotation field check, 2x cable gland M16, 1x M32 Overload Protection: Automatically disconnects the motor in



### FREE STAND INSTALLATION KIT **(U)XIBEND44T**

BEND 100-100

Discharge/elbow for vertical pumping



### FREE STAND INSTALLATION KIT **XISTAND**

STAND SET

Device for free standing installation



## ACCESSORIES

### GUIDE RAIL FITTING SYSTEM (U)XTOS310TA TOS3-100-100

TOS is the basic guide-rail fitting system for Tsurumi pumps up 150mm discharge bore.

