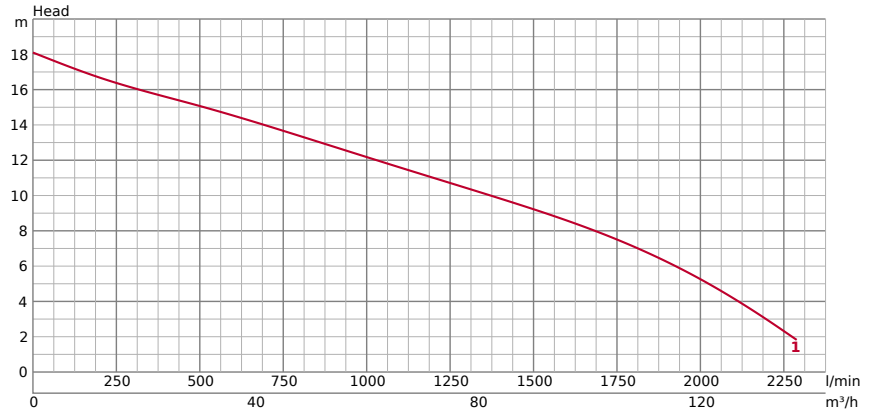


100C45.5



TECHNICAL INFORMATION

GENERAL		PUMPING FLUID	
Ø Discharge bore mm	100mm	Type of Fluid	Sewage
Discharge Connection	Inside thread, JIS10K flange	Temperature	0-40°C
		Max. Solid Handling mm	82 x 68
		Max. PH Value	5-9
		Max. Capacity l/min	2290
		Max. Head m	18.10

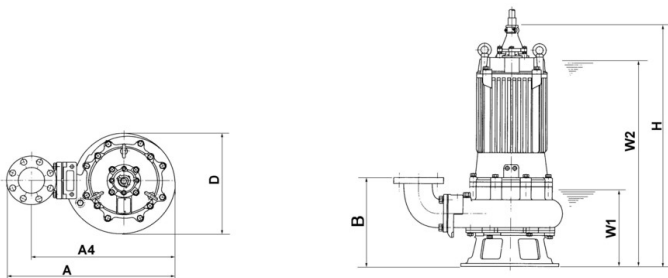
TECHNICAL INFORMATION | Pump, Motor, Others on the next page →

PUMP	COMPONENTS		MATERIAL	
	Impeller	Non-clog impeller with cutter mechanism	Impeller	Grey iron casting EN-GJL-200 with sintered tungsten carbide alloy tip
	Bearings	Shielded ball bearings	Casing	Grey iron casting EN-GJL-200
	Mechanical Seal	Dual mechanical seal in oil bath	Suction Plate	Ductile iron casting EN-GJS-700-2
		Pump Body	Grey iron casting EN-GJL-200	
		Mechanical Seal	Silicon Carbide	

MOTOR			MATERIAL	
	Motor output kW	5,5	Frame	Grey iron casting EN-GJL-200
	Starting method	direct online	Shaft	Stainless steel EN-X30Cr13
	Suitable for VFD	Yes	Cable	NSSHÖU 4C*2. 5mm ²
	Suitable for Soft Starter	Yes	Cable Length	10m
	Type, Poles	Induction motor, 4 poles, IP68		
	Insulation	Insulation class F		
	Phase / Voltage	3-phase / 400V / 50Hz		
	r.p.m.	1455		
	Motor Protector (built-in)	Circle thermal cut-out		
Rated Current	12,1			

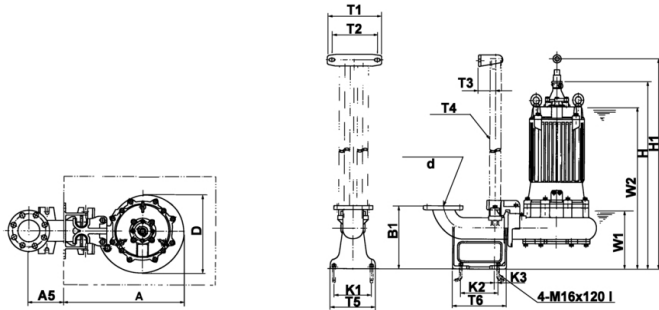
OTHERS		
Dry Weight Kg	133	
Pressure Resistance	max. 30m	

DIMENSIONS



DIMENSIONS - IN MM					
A	687	D	400	W1	335
A4	582	H	824	W2	700
B	372				

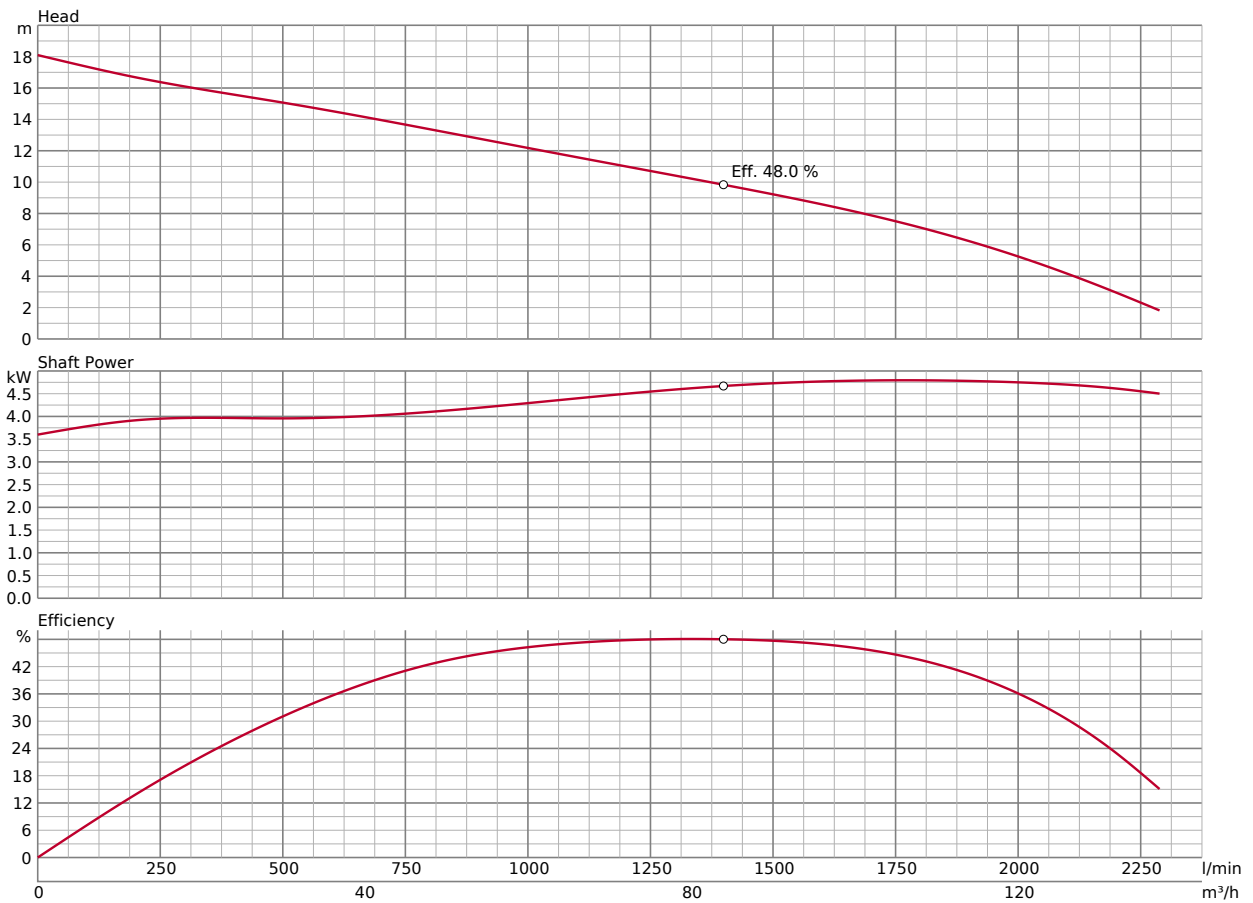
DIMENSIONS | GUIDE RAIL FITTING TYPE



DIMENSIONS | GUIDE RAIL FITTING TYPE - IN MM

A	619	H	822	W1	305
A5	181	H1	1160	W2	690
D	384				

PERFORMANCE CURVE



Please mind: discharge bend, duck foot bend and stand set are accessories and must be ordered separately

ACCESSORIES

PUMP DISCHARGE 048-108-10 + 121-105-33 (1x) + 140-130-36 (8x)
3" Screwed Flange JIS10Kx80mm

3" screwed-in mating flange

OIL LEAKAGE SENSOR TSS-TEG-10

TSS Seal Oil Sensor M10 (10m)

Externally mounted leak sensors for water detection inside of oil chamber. Please note, an additional relay e.g. finder needs to be installed.



FLOAT SWITCH 106-TEG-01

Float 10m (for Sewage Pumps) from 3.7kW

Automatic Operation: Activates the submersible pump when water levels rise to a preset height and deactivates it when levels drop, preventing overflow or pump damage.



ACCESSORIES

FLOAT SWITCH **106-TEG-02**

Float 20m (for Sewage Pumps) from 3.7kW

Automatic Operation: Activates the submersible pump when water levels rise to a preset height and deactivates it when levels drop, preventing overflow or pump damage.



MOTOR PROTECTION PLUGS **547150633tu**

Plug CEE 16A

SPECIFICATIONS

Amperage Control	4,0A - 6,3A	IP	44
Cable Gland	M25		

Rotary lever actuation, motor protection with adjustment of the respective rated current, with phase turner and rotary field control, cable gland, Overload Protection: Automatically disconnects the motor in case of excessive current draw, preventing over



MOTOR PROTECTION PLUGS **547151603tu**

Plug CEE 16A

SPECIFICATIONS

Amperage Control	10,0A - 16,0A	IP	44
Cable Gland	M25		

Rotary lever actuation, motor protection with adjustment of the respective rated current, with phase turner and rotary field control, cable gland, Overload Protection: Automatically disconnects the motor in case of excessive current draw, preventing over



ACCESSORIES

MOTOR PROTECTION PLUGS 547250633tu

Plug CEE 32 A

SPECIFICATIONS

Amperage Control	4,0A - 6,3A	IP	44
Cable Gland	M32		

Rotary lever actuation, motor protection with adjustment of the respective rated current, with phase turner and rotary field control, cable gland, Overload Protection: Automatically disconnects the motor in case of excessive current draw, preventing over



MOTOR PROTECTION PLUGS 547251603tu

Plug CEE 32 A

SPECIFICATIONS

Amperage Control	10,0A - 16,0A	IP	44
Cable Gland	M32		

Rotary lever actuation, motor protection with adjustment of the respective rated current, with phase turner and rotary field control, cable gland, Overload Protection: Automatically disconnects the motor in case of excessive current draw, preventing over



MOTOR PROTECTION PLUGS 5571502400tu

Plug with float connection CEE 16A

SPECIFICATIONS

Amperage Control	2,4A - 4,0A	IP	44
Cable Gland	M25		

Rocker switch ON/OFF (HAND/AUTO), motor protection with adjustment of the respective rated current, contactor max. 7,5kW, with phase inverter, operating display and rotation field check cable gland for float switch and Power cable Overload Protection: Aut



ACCESSORIES

MOTOR PROTECTION PLUGS 5571506000tu

Plug with float connection CEE 16A

SPECIFICATIONS

Amperage Control	4,0A - 6,0A	IP	44
Cable Gland	M25		

Rocker switch ON/OFF (HAND/AUTO), motor protection with adjustment of the respective rated current, contactor max. 7,5kW, with phase inverter, operating display and rotation field check cable gland for float switch and Power cable Overload Protection: Aut



MOTOR PROTECTION PLUGS 5571516000tu

Plug with float connection CEE 16A

SPECIFICATIONS

Amperage Control	12,0A - 16,0A	IP	44
Cable Gland	M25		

Rocker switch ON/OFF (HAND/AUTO), motor protection with adjustment of the respective rated current, contactor max. 7,5kW, with phase inverter, operating display and rotation field check cable gland for float switch and Power cable Overload Protection: Aut



MOTOR PROTECTION PLUGS 5572502400tu

Plug with float connection CEE 32A

SPECIFICATIONS

Amperage Control	2,4A - 4,0A	IP	44
Cable Gland	M32		

Rocker switch ON/OFF (HAND/AUTO), motor protection with adjustment of the respective rated current, contactor max. 7,5kW, with phase inverter, operating display and rotation field check cable gland for float switch and Power cable Overload Protection: Aut



ACCESSORIES

MOTOR PROTECTION PLUGS 5572506000tu

Plug with float connection CEE 32A

SPECIFICATIONS

Amperage Control	4,0A - 6,0A	IP	44
Cable Gland	M32		

Rocker switch ON/OFF (HAND/AUTO), motor protection with adjustment of the respective rated current, contactor max. 7,5kW, with phase inverter, operating display and rotation field check cable gland for float switch and Power cable Overload Protection: Aut



MOTOR PROTECTION PLUGS 5572516000tu

Plug with float connection CEE 32A

SPECIFICATIONS

Amperage Control	12,0A - 16,0A	IP	44
Cable Gland	M32		

Rocker switch ON/OFF (HAND/AUTO), motor protection with adjustment of the respective rated current, contactor max. 7,5kW, with phase inverter, operating display and rotation field check cable gland for float switch and Power cable Overload Protection: Aut



MOTOR PROTECTION PLUGS 587150403

CEE MS PW Stecker 16/5 6h 2.5-4.0A DFK IP67

SPECIFICATIONS

Amperage Control	2,5A - 4,0A	IP	67
Cable Gland	M25		

Rotary lever actuation, motor protection with adjustment of the respective rated current, with phase turner and rotary field control, cable gland, Overload Protection: Automatically disconnects the motor in case of excessive current draw, preventing over



ACCESSORIES

MOTOR PROTECTION PLUGS **587150633**

CEE MS PW Stecker 16/5 6h 4.0-6.3A DFK IP67

SPECIFICATIONS

Amperage Control	4,0A - 6,3A	IP	67
Cable Gland	M25		

Rotary lever actuation, motor protection with adjustment of the respective rated current, with phase turner and rotary field control, cable gland, Overload Protection: Automatically disconnects the motor in case of excessive current draw, preventing over



MOTOR PROTECTION PLUGS **587151603**

CEE MS PW Stecker 16/5 6h 10-16A DFK IP67

SPECIFICATIONS

Amperage Control	10,0A - 16,0A	IP	67
Cable Gland	M25		

Rotary lever actuation, motor protection with adjustment of the respective rated current, with phase turner and rotary field control, cable gland, Overload Protection: Automatically disconnects the motor in case of excessive current draw, preventing over



MOTOR PROTECTION PLUGS **587250403**

CEE MS PW Stecker 32/5 6h 2.5-4.0A DFK IP67

SPECIFICATIONS

Amperage Control	2,5A - 4,0A	IP	67
Cable Gland	M32		

Rotary lever actuation, motor protection with adjustment of the respective rated current, with phase turner and rotary field control, cable gland, Overload Protection: Automatically disconnects the motor in case of excessive current draw, preventing over



ACCESSORIES

MOTOR PROTECTION PLUGS **587250633**

CEE MS PW Stecker 32/5 6h 4.0-6.3A DFK IP67

SPECIFICATIONS

Amperage Control	4,0A - 6,3A	IP	67
Cable Gland	M32		

Rotary lever actuation, motor protection with adjustment of the respective rated current, with phase turner and rotary field control, cable gland, Overload Protection: Automatically disconnects the motor in case of excessive current draw, preventing over



MOTOR PROTECTION PLUGS **587251603**

CEE MS PW Stecker 32/5 6h 10-16A DFK IP67

SPECIFICATIONS

Amperage Control	10,0A - 16,0A	IP	67
Cable Gland	M32		

Rotary lever actuation, motor protection with adjustment of the respective rated current, with phase turner and rotary field control, cable gland, Overload Protection: Automatically disconnects the motor in case of excessive current draw, preventing over



FREE STAND INSTALLATION KIT **(U)XIBEND44T**

BEND 100-100

Discharge/elbow for vertical pumping



ACCESSORIES

FREE STAND INSTALLATION KIT **XISTAND** STAND SET

Device for free standing installation



GUIDE RAIL FITTING SYSTEM **(U)XTOS310TA** TOS3-100-100

TOS is the basic guide-rail fitting system for Tsurumi pumps up 150mm discharge bore.

