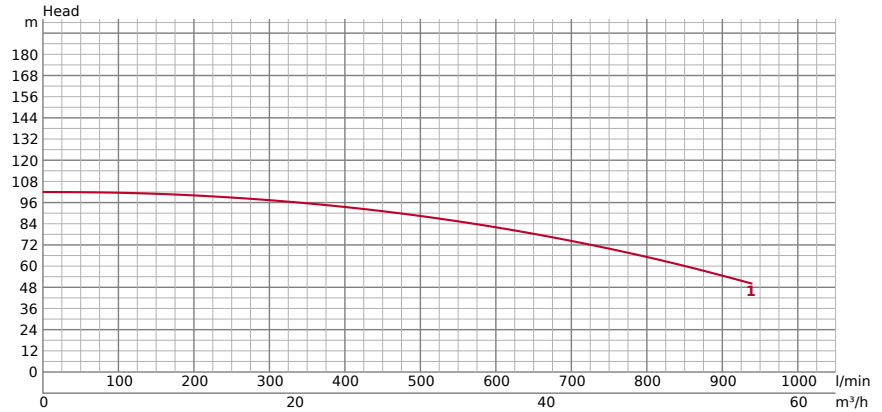


LH322W



TECHNICAL INFORMATION

GENERAL		PUMPING FLUID	
	Ø Discharge bore mm	80	Type of Fluid
	Discharge Connection	JIS 20K Flange	Drainage
			Temperature
			0-40°C
			Max. Solid Handling mm
			8.50
			Max. dry matter %
			3-5
			Max. PH Value
			5-9
			Max. Capacity l/min
			940
			Max. Head m
			102

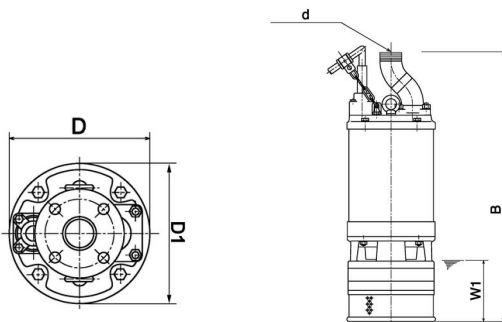
PUMP	COMPONENTS	MATERIAL
	Impeller	Closed type impeller
	Bearings	Shielded ball bearings
	Mechanical Seal	Dual mechanical seal in oil bath
		Impeller
		Chromium iron casting
		Casing
		Grey iron casting EN-GJL-200
		Suction Plate
		Chromium iron casting
		Pump Body
		Carbon Steel
		Mechanical Seal
		Silicon Carbide

TECHNICAL INFORMATION | Motor, Others on the next page →

MOTOR	MOTOR		MATERIAL	
	Motor output kW	22,0	Frame	Grey iron casting EN-GJL-200
	Starting method	direct online	Shaft	Stainless steel EN-X30Cr13
	Suitable for VFD	Yes	Cable	NSSHÖU 4C*10mm ²
	Suitable for Soft Starter	Yes	Cable Length	20m
	Type, Poles	Induction motor, 2 poles, IP68		
	Insulation	Insulation class B		
	Phase / Voltage	3-phase / 400V / 50Hz		
	r.p.m.	2910		
	Motor Protector (built-in)	Circle thermal cut-out		
	Rated Current	39		
	Voltage Change 400V --> 230V	Internal re-connection (delta)		
	Voltage Change 400V --> 690V	Re-Winding		

OTHERS	OTHERS	
	Dry Weight Kg	304
Pressure Resistance	max. 50m	

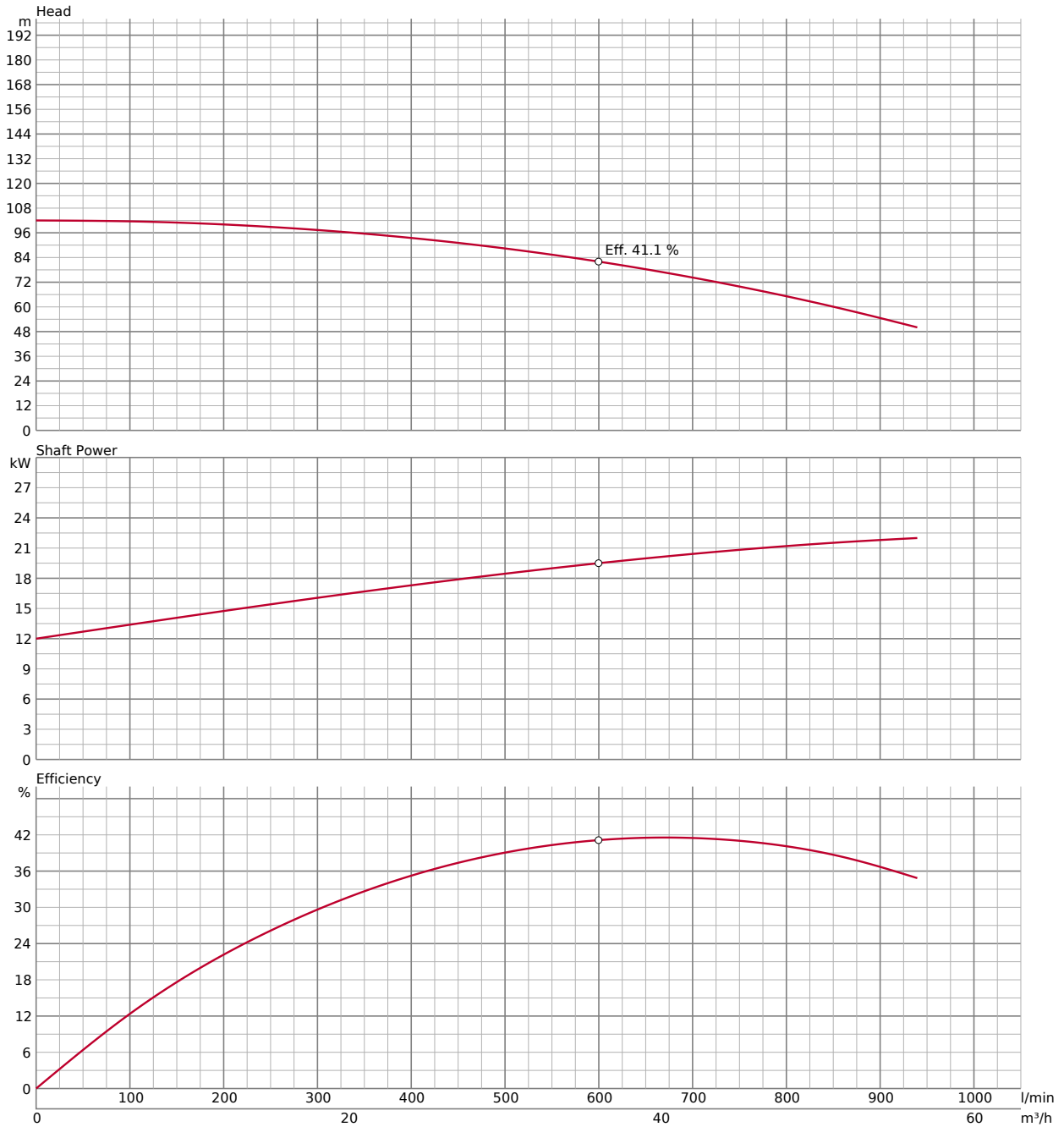
DIMENSIONS



DIMENSIONS - IN MM

B	1234	d	80	W1	300
D	330				

PERFORMANCE CURVE



In the event of abrasive and corrosive utilization, stronger wear and tear will take place naturally in certain components. In this regard, please pay attention to our website www.tsurumi.eu/english/applications.htm.

ACCESSORIES

FLANGE ADAPTERS **048-TEG-01**

Flange Adapter JIS/DIN

SPECIFICATIONS

No. Of bolt holes	8
-------------------	---

Flange adapter for 3" JIS 20K - 3" DIN PN16



OIL LEAKAGE SENSOR **TSS-TEG-10**

TSS Seal Oil Sensor M10 (10m)

Externally mounted leak sensors for water detection inside of oil chamber. Please note, an additional relay e.g. finder needs to be installed.

