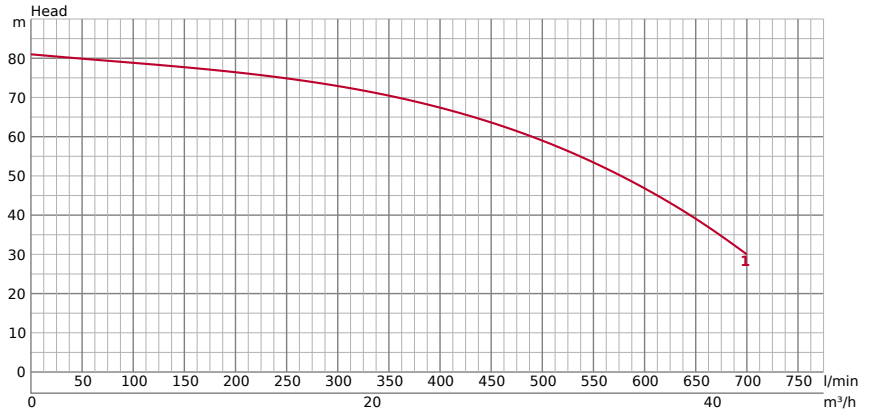


LH311W



TECHNICAL INFORMATION

GENERAL		PUMPING FLUID	
	Ø Discharge bore mm	80	Type of Fluid
	Discharge Connection	Threaded flange	Drainage
			Temperature
			0-40°C
			Max. Solid Handling mm
			8.50
			Max. dry matter %
			3-5
			Max. PH Value
			5-9
			Max. Capacity l/min
			700
			Max. Head m
			81

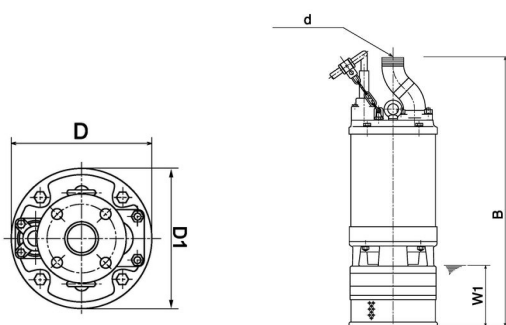
PUMP	COMPONENTS	MATERIAL	
	Impeller	Closed type impeller	Impeller
	Bearings	Shielded ball bearings	Chromium iron casting
	Mechanical Seal	Dual mechanical seal in oil bath	Casing
			Ductile iron casting EN-GJS-450-10
			Suction Plate
			Chromium iron casting
			Pump Body
			Structured Steel
			Mechanical Seal
			Silicon Carbide

TECHNICAL INFORMATION | Motor, Others on the next page →

MOTOR	Motor output kW	11,0	MATERIAL	
	Starting method	direct online	Frame	Grey iron casting EN-GJL-200
	Suitable for VFD	Yes	Shaft	Stainless steel EN-X30Cr13
	Suitable for Soft Starter	Yes	Cable	NSSHÖU 4C*4. 0mm ²
	Type, Poles	Induction motor, 2 poles, IP68	Cable Length	20m
	Insulation	Insulation class B		
	Phase / Voltage	3-phase / 400V / 50Hz		
	r.p.m.	2890		
	Motor Protector (built-in)	Circle thermal cut-out		
	Rated Current	22		
	Voltage Change 400V --> 230V	Internal re-connection (delta)		
	Voltage Change 400V --> 690V	Re-Winding		

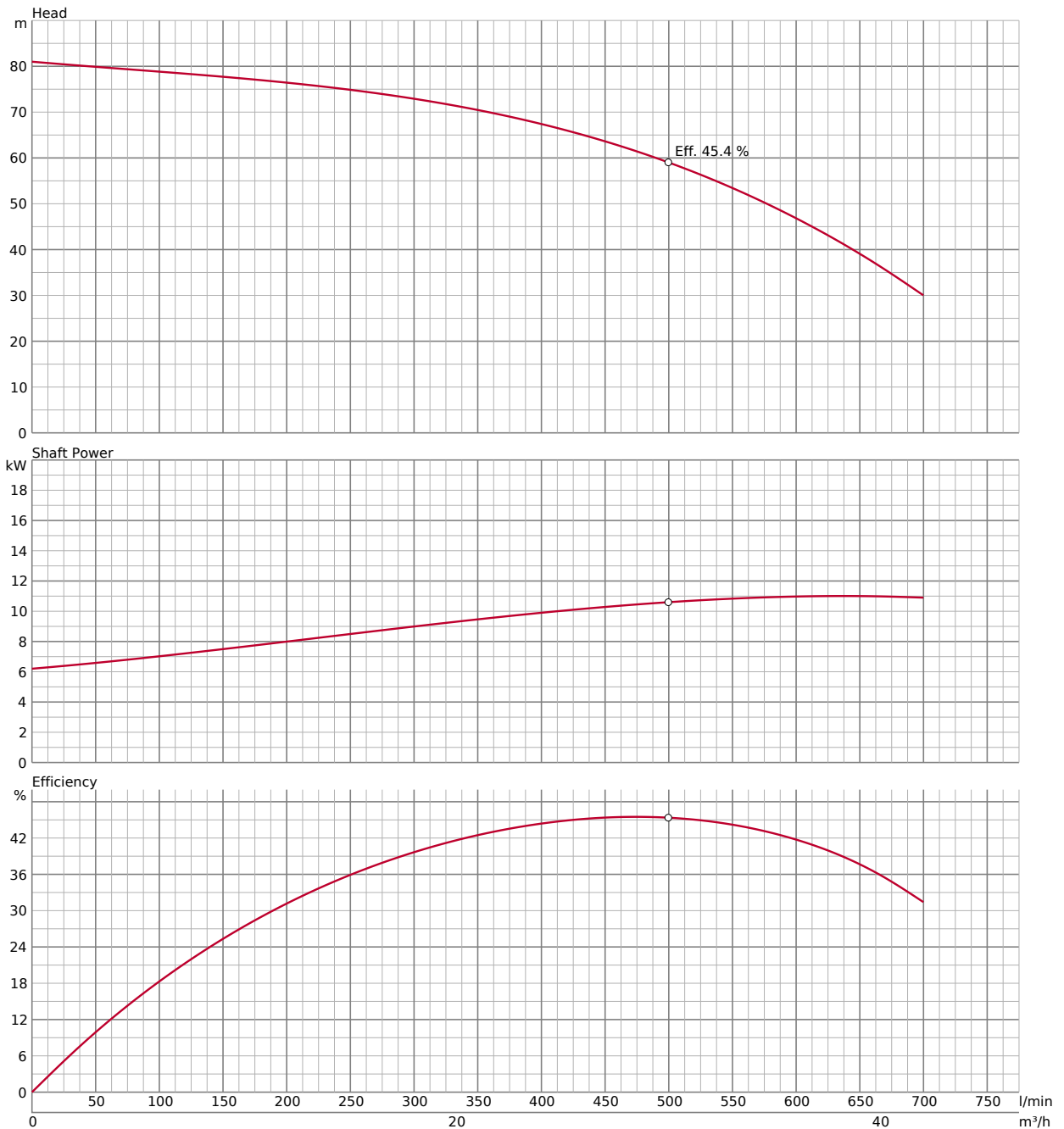
OTHERS	Dry Weight Kg	130
	Pressure Resistance	max. 50m

DIMENSIONS



DIMENSIONS - IN MM					
B	1030	d	80	W1	200
D	270				

PERFORMANCE CURVE



In the event of abrasive and corrosive utilization, stronger wear and tear will take place naturally in certain components. In this regard, please pay attention to our website www.tsurumi.eu/english/applications.htm.

ACCESSORIES

OIL LEAKAGE SENSOR TSS-TEG-10

TSS Seal Oil Sensor M10 (10m)

Externally mounted leak sensors for water detection inside of oil chamber. Please note, an additional relay e.g. finder needs to be installed.



MOTOR PROTECTION PLUGS 547252503tu

Plug CEE 32 A

SPECIFICATIONS

Amperage Control	20,0A - 25,0A	IP	44
Cable Gland	M32		

Rotary lever actuation, motor protection with adjustment of the respective rated current, with phase turner and rotary field control, cable gland, Overload Protection: Automatically disconnects the motor in case of excessive current draw, preventing over



MOTOR PROTECTION PLUGS 587252503

CEE MS PW Stecker 32/5 6h 20-25A DFK IP67

SPECIFICATIONS

Amperage Control	20,0A - 25,0A	IP	67
Cable Gland	M32		

Rotary lever actuation, motor protection with adjustment of the respective rated current, with phase turner and rotary field control, cable gland, Overload Protection: Automatically disconnects the motor in case of excessive current draw, preventing over



ACCESSORIES

MOTOR PROTECTION PLUGS **9216210**

Plug with float connection CEE 32A w/z rotary switch

SPECIFICATIONS

Amperage Control	20,0A - 25,0A	IP	54
Cable Gland	M32, 2 x M16		

rotary switch (I-0-II), protection with adjustment of the respective rated current, contactor: 12,5kW, with phase inverter, operating display and rotation field check, 2x cable gland M16, 1x M32 Overload Protection: Automatically disconnects the motor in

