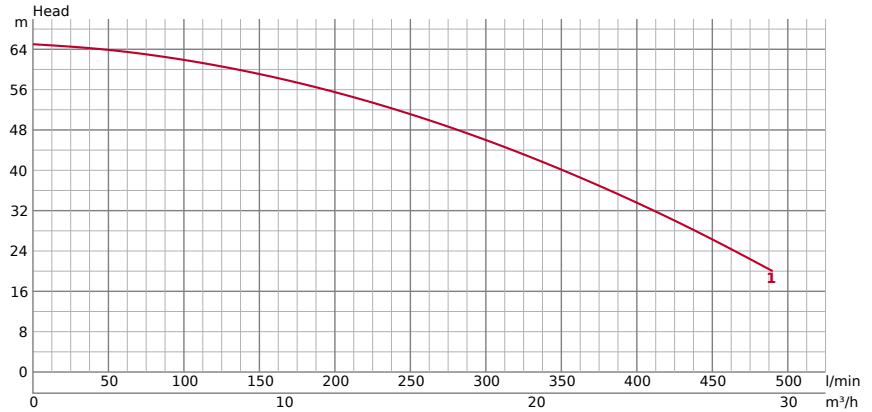


LH25.5W



TECHNICAL INFORMATION

GENERAL			PUMPING FLUID		
GENERAL	ø Discharge bore mm	50	Type of Fluid	Drainage	
	Discharge Connection	Threaded flange	Temperature	0-40°C	
PUMPING FLUID			Max. Solid Handling mm	6	
			Max. dry matter %	3-5	
			Max. PH Value	5-9	
			Max. Capacity l/min	490	
			Max. Head m	65	

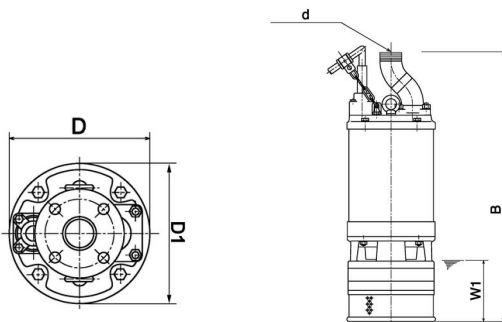
PUMP	COMPONENTS	MATERIAL
PUMP	Impeller	Closed type impeller
	Bearings	Shielded ball bearings
	Mechanical Seal	Dual mechanical seal in oil bath
MATERIAL	Impeller	Chromium iron casting
	Casing	Ductile iron casting EN-GJS-450-10
	Suction Plate	Chromium iron casting
	Pump Body	Structured Steel
Mechanical Seal	Silicon Carbide	

TECHNICAL INFORMATION | Motor, Others on the next page →

MOTOR	MOTOR		MATERIAL	
	Motor output kW	5,5	Frame	Grey iron casting EN-GJL-200
	Starting method	direct online	Shaft	Stainless steel EN-X30Cr13
	Suitable for VFD	Yes	Cable	NSSHÖU 4C*2. 5mm ²
	Suitable for Soft Starter	Yes	Cable Length	20m
	Type, Poles	Induction motor, 2 poles, IP68		
	Insulation	Insulation class B		
	Phase / Voltage	3-phase / 400V / 50Hz		
	r.p.m.	2825		
	Motor Protector (built-in)	Circle thermal cut-out		
	Rated Current	11		
	Voltage Change 400V --> 230V	Internal re-connection (delta)		
Voltage Change 400V --> 690V	Re-Winding			

OTHERS	OTHERS	
	Dry Weight Kg	80
Pressure Resistance	max. 50m	

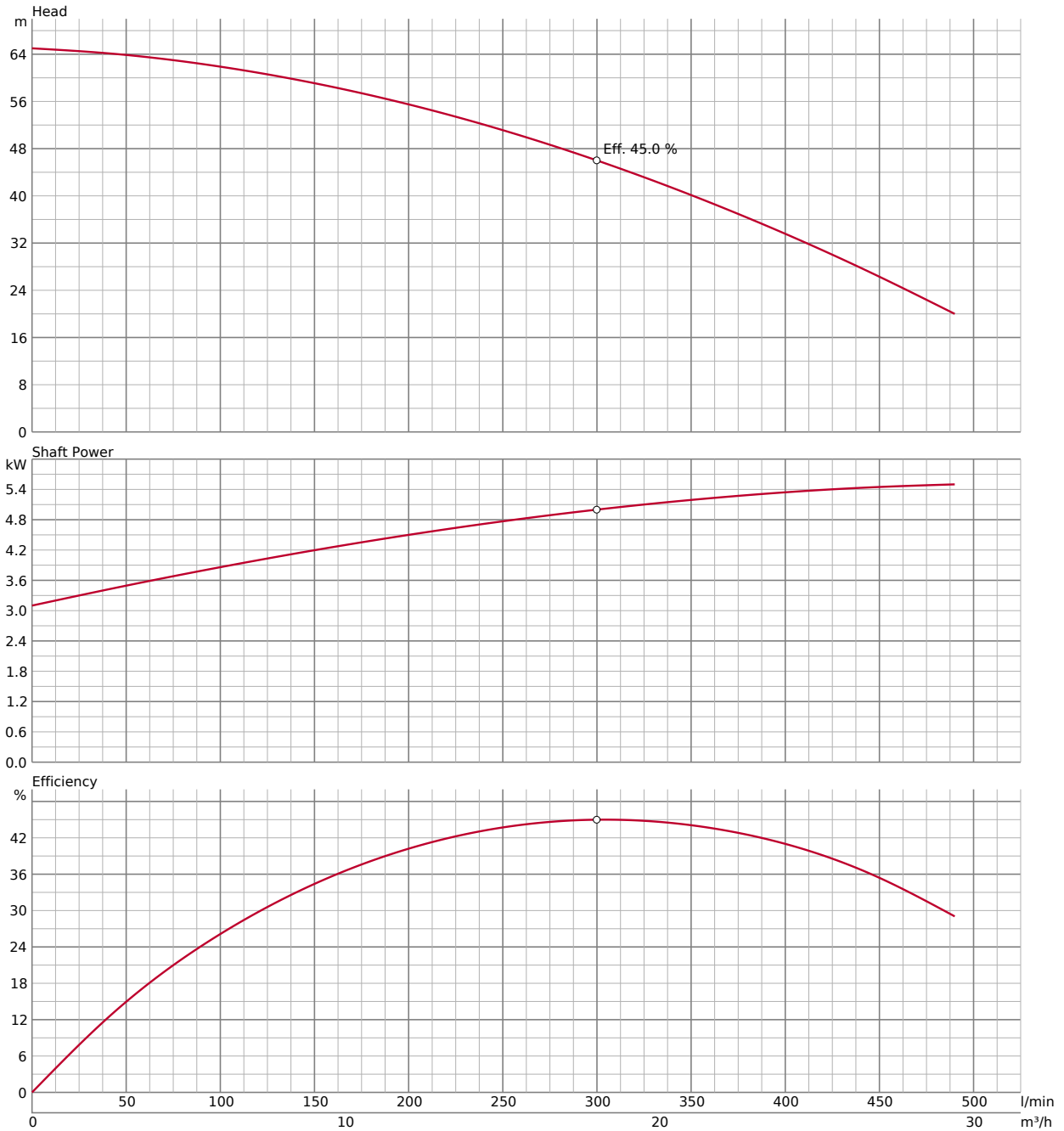
DIMENSIONS



DIMENSIONS - IN MM

B	750	d	50	W1	170
D	240				

PERFORMANCE CURVE



In the event of abrasive and corrosive utilization, stronger wear and tear will take place naturally in certain components. In this regard, please pay attention to our website www.tsurumi.eu/english/applications.htm.

ACCESSORIES

OIL LEAKAGE SENSOR TSS-TEG-10

TSS Seal Oil Sensor M10 (10m)

Externally mounted leak sensors for water detection inside of oil chamber. Please note, an additional relay e.g. finder needs to be installed.



MOTOR PROTECTION PLUGS 547151603tu

Plug CEE 16A

SPECIFICATIONS

Amperage Control	10,0A - 16,0A	IP	44
Cable Gland	M25		

Rotary lever actuation, motor protection with adjustment of the respective rated current, with phase turner and rotary field control, cable gland, Overload Protection: Automatically disconnects the motor in case of excessive current draw, preventing over



MOTOR PROTECTION PLUGS 547251603tu

Plug CEE 32 A

SPECIFICATIONS

Amperage Control	10,0A - 16,0A	IP	44
Cable Gland	M32		

Rotary lever actuation, motor protection with adjustment of the respective rated current, with phase turner and rotary field control, cable gland, Overload Protection: Automatically disconnects the motor in case of excessive current draw, preventing over



ACCESSORIES

MOTOR PROTECTION PLUGS 5571512000tu

Plug with float connection CEE 16A

SPECIFICATIONS

Amperage Control	9,0A - 12,0A	IP	44
Cable Gland	M25		

Rocker switch ON/OFF (HAND/AUTO), motor protection with adjustment of the respective rated current, contactor max. 7,5kW, with phase inverter, operating display and rotation field check cable gland for float switch and Power cable Overload Protection: Aut



MOTOR PROTECTION PLUGS 5572512000tu

Plug with float connection CEE 32A

SPECIFICATIONS

Amperage Control	9,0A - 12,0A	IP	44
Cable Gland	M32		

Rocker switch ON/OFF (HAND/AUTO), motor protection with adjustment of the respective rated current, contactor max. 7,5kW, with phase inverter, operating display and rotation field check cable gland for float switch and Power cable Overload Protection: Aut



MOTOR PROTECTION PLUGS 587151603

CEE MS PW Stecker 16/5 6h 10-16A DFK IP67

SPECIFICATIONS

Amperage Control	10,0A - 16,0A	IP	67
Cable Gland	M25		

Rotary lever actuation, motor protection with adjustment of the respective rated current, with phase turner and rotary field control, cable gland, Overload Protection: Automatically disconnects the motor in case of excessive current draw, preventing over



ACCESSORIES

MOTOR PROTECTION PLUGS **587251603**

CEE MS PW Stecker 32/5 6h 10-16A DFK IP67

SPECIFICATIONS

Amperage Control	10,0A - 16,0A	IP	67
Cable Gland	M32		

Rotary lever actuation, motor protection with adjustment of the respective rated current, with phase turner and rotary field control, cable gland, Overload Protection: Automatically disconnects the motor in case of excessive current draw, preventing over

