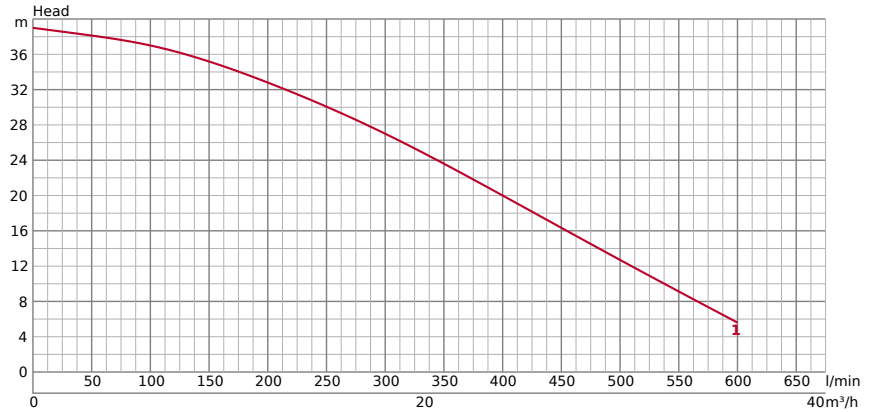


LH23.0W



TECHNICAL INFORMATION

GENERAL		PUMPING FLUID	
	ø Discharge bore mm	50	Type of Fluid
	Discharge Connection	Threaded flange	Drainage
			Temperature
			0-40°C
			Max. Solid Handling mm
			6
			Max. dry matter %
			3-5
			Max. PH Value
			5-9
			Max. Capacity l/min
			600
			Max. Head m
			39

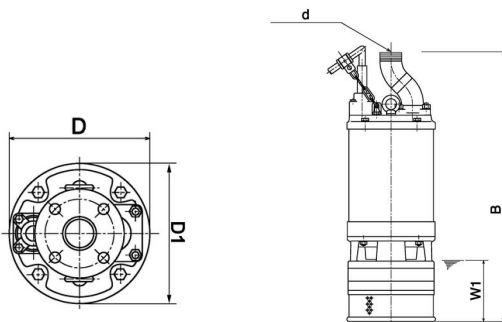
PUMP	COMPONENTS	MATERIAL	
	Impeller	Closed type impeller	Impeller
	Bearings	Shielded ball bearings	Chromium iron casting
	Mechanical Seal	Dual mechanical seal in oil bath	Casing
			Ductile iron casting EN-GJS-450-10
			Pump Body
			Steel
			Mechanical Seal
			Silicon Carbide

TECHNICAL INFORMATION | Motor, Others on the next page →

MOTOR	Motor output kW	3,0	MATERIAL	
	Starting method	direct online	Frame	Grey iron casting EN-GJL-200
	Suitable for VFD	Yes	Shaft	Stainless steel EN-X30Cr13
	Suitable for Soft Starter	Yes	Cable	NSSHÖU 4C*1. 5mm ²
	Type, Poles	Induction motor, 2 poles, IP68	Cable Length	20m
	Insulation	Insulation class F		
	Phase / Voltage	3-phase / 400V / 50Hz		
	r.p.m.	2820		
	Motor Protector (built-in)	Circle thermal cut-out		
	Rated Current	6.50		
	Voltage Change 400V --> 230V	Internal re-connection (delta)		
	Voltage Change 400V --> 690V	Re-Winding		

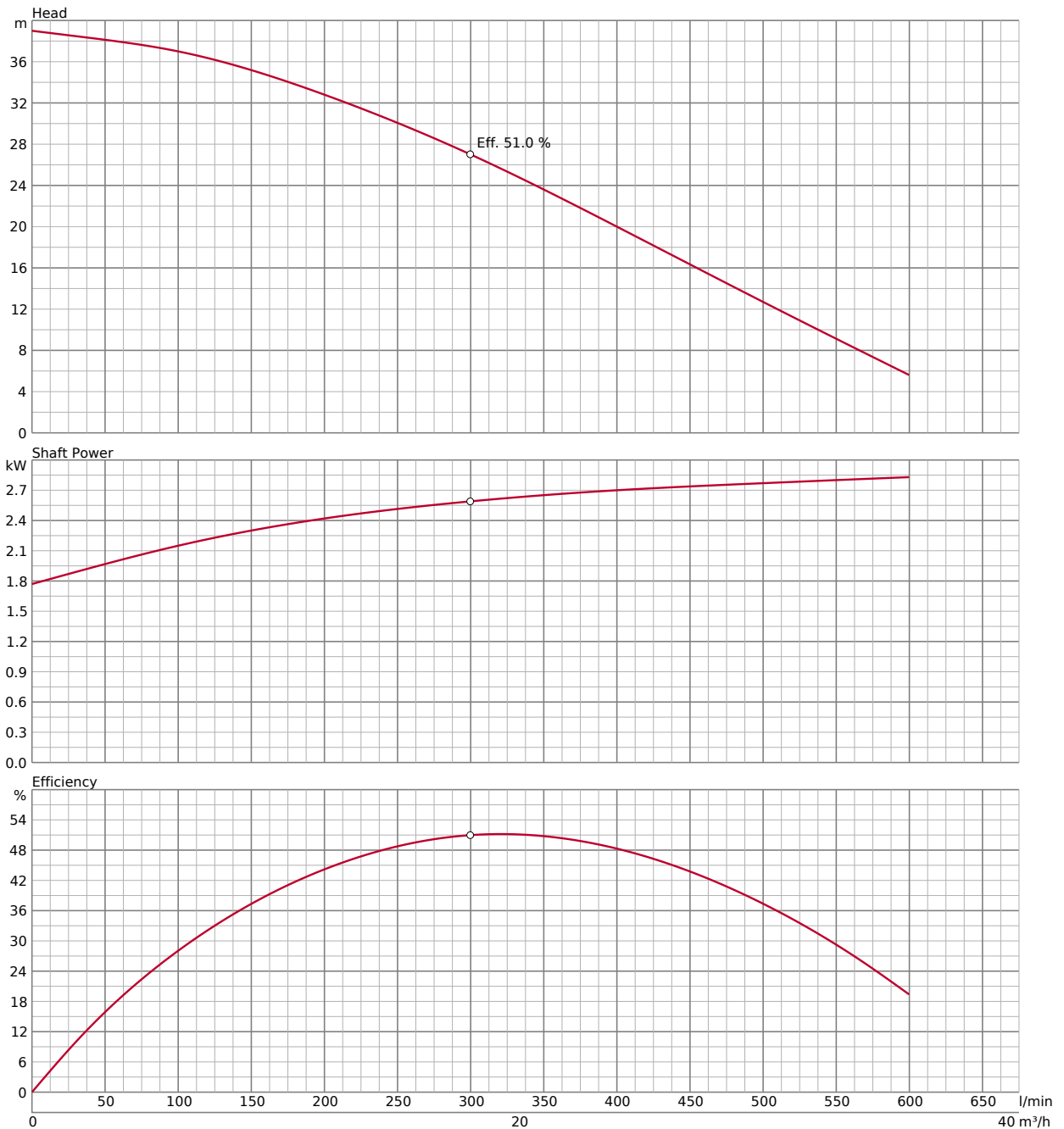
OTHERS	Dry Weight Kg	46
	Pressure Resistance	max. 50m

DIMENSIONS


DIMENSIONS - IN MM

B	591	d	50	W1	150
D	185				

PERFORMANCE CURVE



In the event of abrasive and corrosive utilization, stronger wear and tear will take place naturally in certain components. In this regard, please pay attention to our website www.tsurumi.eu/english/applications.htm.

ACCESSORIES

PUMP DISCHARGE **032-000-25**

3" BS-threaded coupling

3" discharge with suitable connection for threaded coupling



PUMP DISCHARGE **032-342-19**

3" Hose Coupling

3" discharge with suitable connection for hose coupling



OIL LEAKAGE SENSOR **TSS-TEG-08**

TSS Seal Oil Sensor M8 (10m)

Externally mounted leak sensors for water detection inside of oil chamber. Please note, an additional relay e.g. finder needs to be installed.



ACCESSORIES

MOTOR PROTECTION PLUGS **547151003tu**

Plug CEE 16A

SPECIFICATIONS

Amperage Control	6,3A - 10,0A	IP	44
Cable Gland	M25		

Rotary lever actuation, motor protection with adjustment of the respective rated current, with phase turner and rotary field control, cable gland, Overload Protection: Automatically disconnects the motor in case of excessive current draw, preventing over



MOTOR PROTECTION PLUGS **547251003tu**

Plug CEE 32 A

SPECIFICATIONS

Amperage Control	6,3A - 10,0A	IP	44
Cable Gland	M32		

Rotary lever actuation, motor protection with adjustment of the respective rated current, with phase turner and rotary field control, cable gland, Overload Protection: Automatically disconnects the motor in case of excessive current draw, preventing over



MOTOR PROTECTION PLUGS **5571510000tu**

Plug with float connection CEE 16A

SPECIFICATIONS

Amperage Control	6,0A - 10,0A	IP	44
Cable Gland	M25		

Rocker switch ON/OFF (HAND/AUTO), motor protection with adjustment of the respective rated current, contactor max. 7,5kW, with phase inverter, operating display and rotation field check cable gland for float switch and Power cable Overload Protection: Aut



ACCESSORIES

MOTOR PROTECTION PLUGS **557251000tu**

Plug with float connection CEE 32A

SPECIFICATIONS

Amperage Control	6,0A - 10,0A	IP	44
Cable Gland	M32		

Rocker switch ON/OFF (HAND/AUTO), motor protection with adjustment of the respective rated current, contactor max. 7,5kW, with phase inverter, operating display and rotation field check cable gland for float switch and Power cable Overload Protection: Aut



MOTOR PROTECTION PLUGS **587151003**

CEE MS PW Stecker 16/5 6h 6.3-10A DFK IP67

SPECIFICATIONS

Amperage Control	6,3A - 10,0A	IP	67
Cable Gland	M25		

Rotary lever actuation, motor protection with adjustment of the respective rated current, with phase turner and rotary field control, cable gland, Overload Protection: Automatically disconnects the motor in case of excessive current draw, preventing over



MOTOR PROTECTION PLUGS **587251003**

CEE MS PW Stecker 32/5 6h 6.3-10A DFK IP67

SPECIFICATIONS

Amperage Control	6,3A - 10,0A	IP	67
Cable Gland	M32		

Rotary lever actuation, motor protection with adjustment of the respective rated current, with phase turner and rotary field control, cable gland, Overload Protection: Automatically disconnects the motor in case of excessive current draw, preventing over

