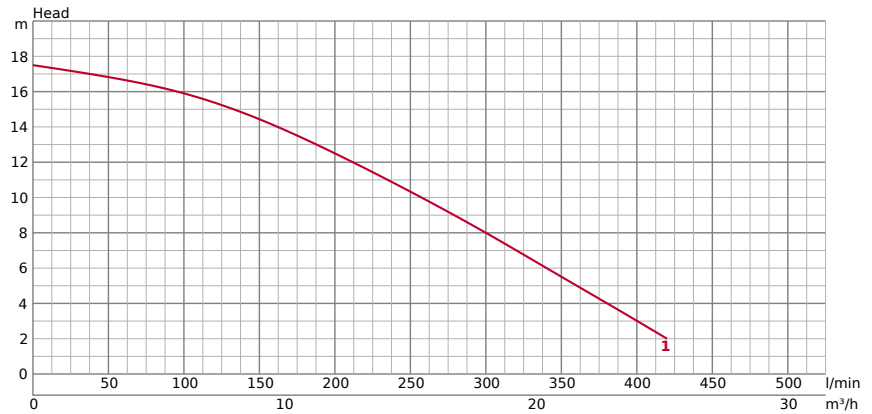


LB-1500



TECHNICAL INFORMATION

GENERAL			PUMPING FLUID		
Ø Discharge bore mm	50		Type of Fluid	Drainage	
Discharge Connection	Threaded flange/Hose coupling		Temperature	0-40°C	
			Max. Solid Handling mm	6	
			Max. dry matter %	10	
			Max. PH Value	5-9	
			Max. Capacity l/min	420	
			Max. Head m	17.50	

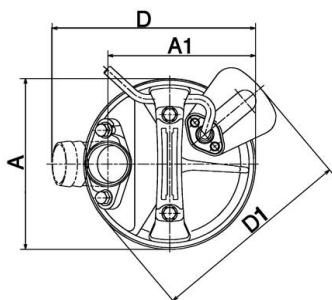
PUMP	COMPONENTS	MATERIAL
Impeller	Semi-Vortex impeller	Impeller Chromium iron casting
Bearings	Shielded ball bearings	Casing Ethylene propylene rubber
Mechanical Seal	Dual mechanical seal in oil bath	Suction Plate Steelplate+Urethane rubber
		Pump Body Steel
		Mechanical Seal Silicon Carbide

TECHNICAL INFORMATION | Motor, Others on the next page →

MOTOR	Motor output kW	1,5	MATERIAL	
	Starting method	condensor	Frame	Aluminium alloy casting
	Type, Poles	Induction motor, 2 poles, IP68	Shaft	Stainless steel EN-X6Cr13
	Insulation	Insulation class B	Cable	H07RN8-F 3C*2.5mm ²
	Phase / Voltage	1-phase / 230V / 110V / 50Hz	Cable Length	20m
	r.p.m.	2900		
	Motor Protector (built-in)	Circle thermal cut-out		
	Rated Current	15.40		

OTHERS	Dry Weight Kg	33
	Pressure Resistance	max. 50m

DIMENSIONS



DIMENSIONS - IN MM					
A	187	B	600	H	518
A1	122	d	50	W1	80

PERFORMANCE CURVE



In the event of abrasive and corrosive utilization, stronger wear and tear will take place naturally in certain components. In this regard, please pay attention to our website www.tsurumi.eu/english/applications.htm.