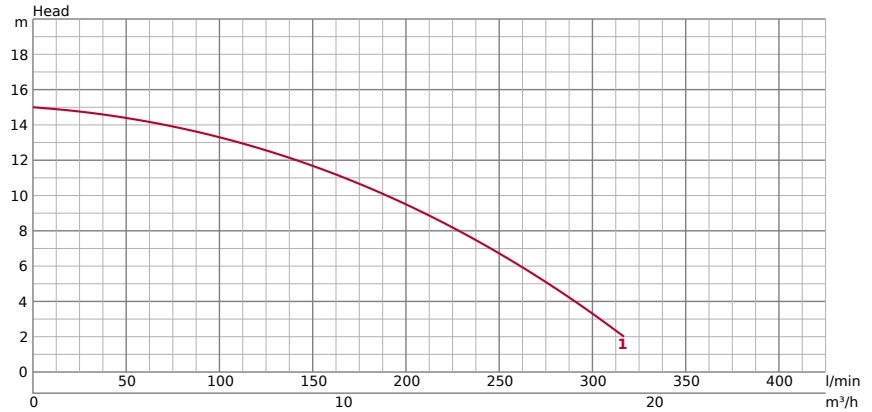


LB-800A



TECHNICAL INFORMATION

GENERAL			PUMPING FLUID		
Ø Discharge bore mm	50		Type of Fluid	Drainage	
Discharge Connection	Threaded flange/Hose coupling		Temperature	0-40°C	
			Max. Solid Handling mm	6	
			Max. dry matter %	10	
			Max. PH Value	5-9	
			Max. Capacity l/min	310	
			Max. Head m	15	

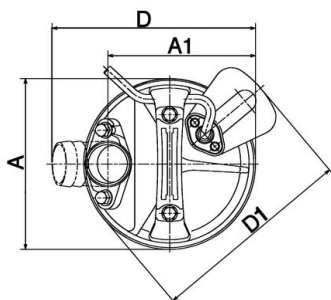
PUMP	COMPONENTS	MATERIAL
Impeller	Semi-Vortex impeller	Impeller Urethane rubber
Bearings	Shielded ball bearings	Casing Ethylene propylene rubber
Mechanical Seal	Dual mechanical seal in oil bath	Suction Plate Steelplate+Urethane rubber
		Pump Body Steel
		Mechanical Seal Silicon Carbide

TECHNICAL INFORMATION | Motor, Others on the next page →

MOTOR		MATERIAL	
Motor output kW	0,75	Frame	Aluminium alloy casting
Starting method	condensor	Shaft	Stainless steel EN-X6Cr13
Type, Poles	Induction motor, 2 poles, IP68	Cable	H07RN8-F 3C*1.0mm ²
Insulation	Insulation class E	Cable Length	10m
Phase / Voltage	1-phase / 230V / 110V / 50Hz		
r.p.m.	2741		
Motor Protector (built-in)	Circle thermal cut-out		
Rated Current	4.50		

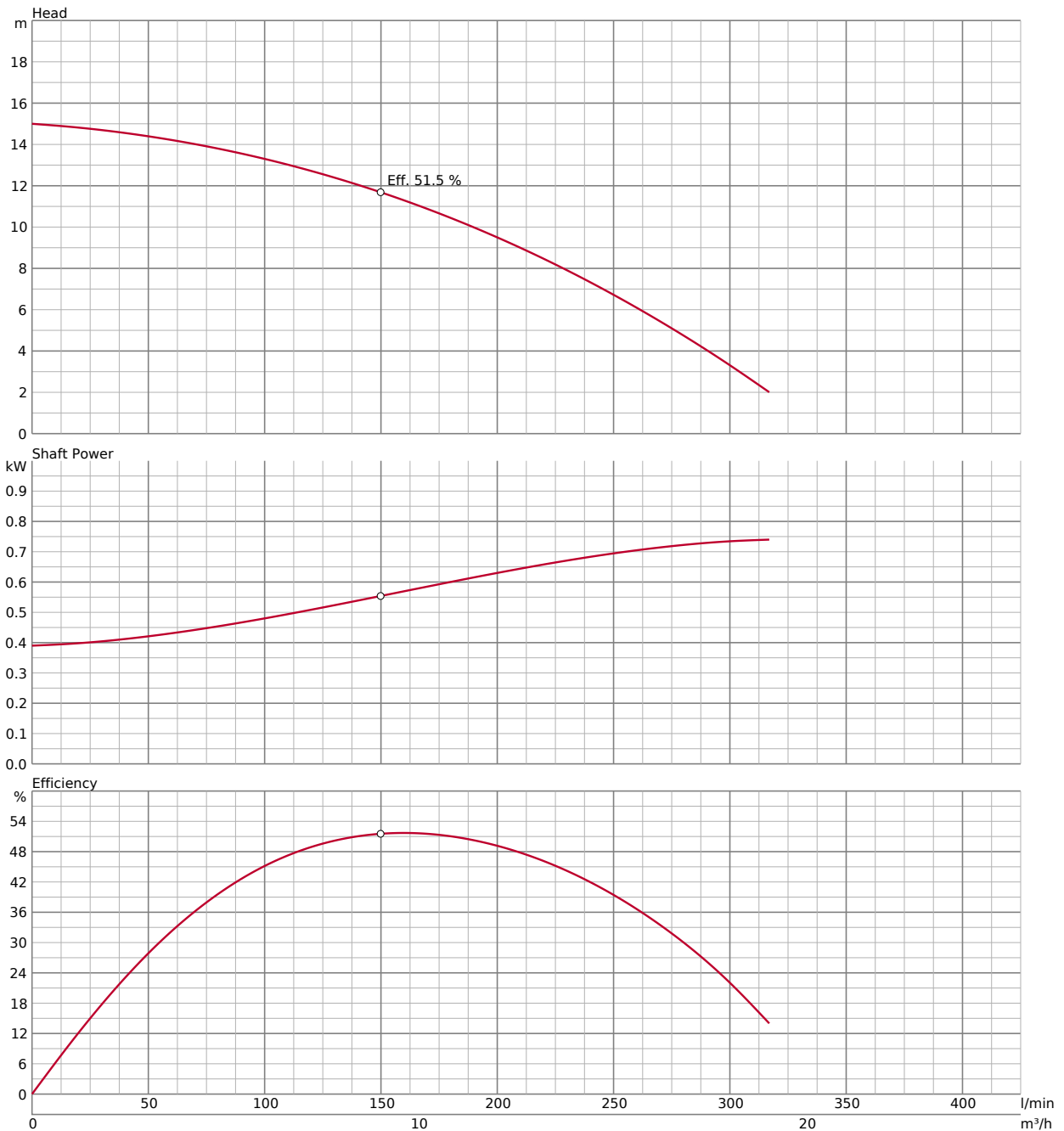
OTHERS	
Dry Weight Kg	13.70
Pressure Resistance	max. 20m

DIMENSIONS



DIMENSIONS - IN MM					
A	187	D	230	H	283
A1	160	d	50	W1	170
B	408	D1	223		

PERFORMANCE CURVE



In the event of abrasive and corrosive utilization, stronger wear and tear will take place naturally in certain components. In this regard, please pay attention to our website www.tsurumi.eu/english/applications.htm.