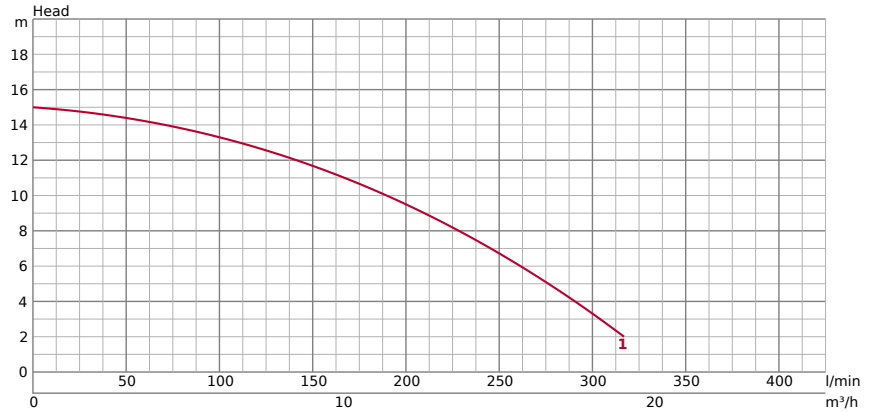


**LB-800**



**TECHNICAL INFORMATION**

GENERAL		PUMPING FLUID	
<b>ø Discharge bore mm</b>	50	<b>Type of Fluid</b>	Drainage
<b>Discharge Connection</b>	Threaded flange/Hose coupling	<b>Temperature</b>	0-40°C
		<b>Max. Solid Handling mm</b>	6
		<b>Max. dry matter %</b>	10
		<b>Max. PH Value</b>	5-9
		<b>Max. Capacity l/min</b>	310
		<b>Max. Head m</b>	15

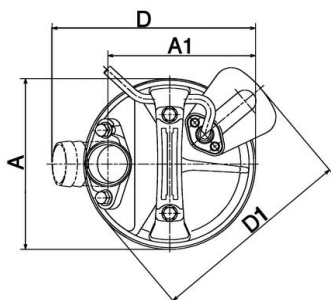
PUMP	COMPONENTS	MATERIAL	
<b>Impeller</b>	Semi-Vortex impeller	<b>Impeller</b>	Urethane rubber
<b>Bearings</b>	Shielded ball bearings	<b>Casing</b>	Ethylene propylene rubber
<b>Mechanical Seal</b>	Dual mechanical seal in oil bath	<b>Suction Plate</b>	Steelplate+Urethane rubber
		<b>Pump Body</b>	Steel
		<b>Mechanical Seal</b>	Silicon Carbide

TECHNICAL INFORMATION | Motor, Others on the next page →

MOTOR	Motor output kW	0,75	MATERIAL	
	Starting method	condensor	Frame	Aluminium alloy casting
	Type, Poles	Induction motor, 2 poles, IP68	Shaft	Stainless steel EN-X6Cr13
	Insulation	Insulation class E	Cable	H07RN8-F 3C*1.0mm <sup>2</sup>
	Phase / Voltage	1-phase / 230V / 110V / 50Hz	Cable Length	10m
	r.p.m.	2741		
	Motor Protector (built-in)	Circle thermal cut-out		
	Rated Current	4.50		

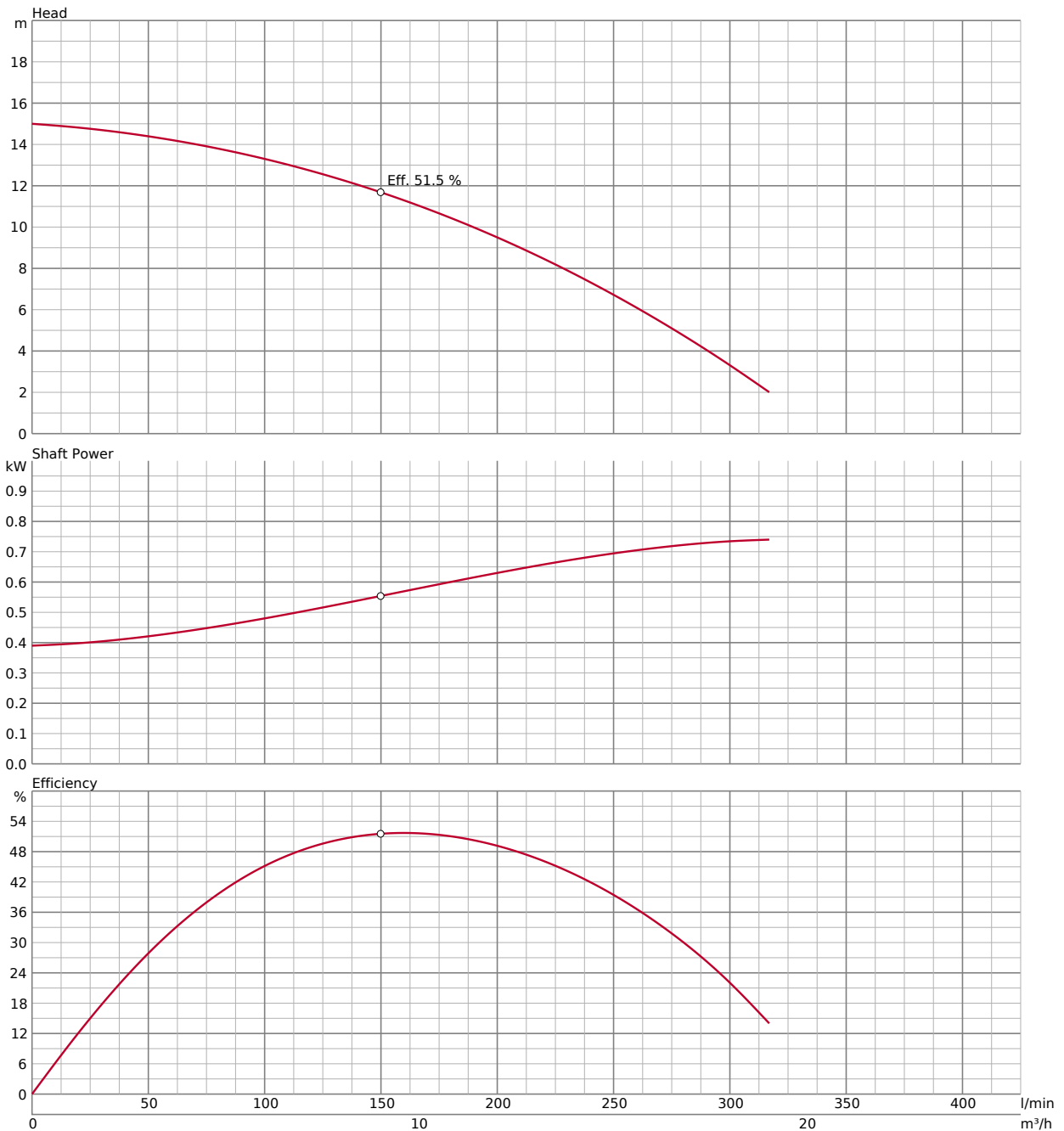
OTHERS	Dry Weight Kg	13.10
	Pressure Resistance	max. 20m

## DIMENSIONS



DIMENSIONS - IN MM					
<b>A</b>	187	<b>D</b>	230	<b>H</b>	283
<b>A1</b>	160	<b>d</b>	50	<b>W1</b>	50
<b>B</b>	408				

## PERFORMANCE CURVE



In the event of abrasive and corrosive utilization, stronger wear and tear will take place naturally in certain components. In this regard, please pay attention to our website [www.tsurumi.eu/english/applications.htm](http://www.tsurumi.eu/english/applications.htm).