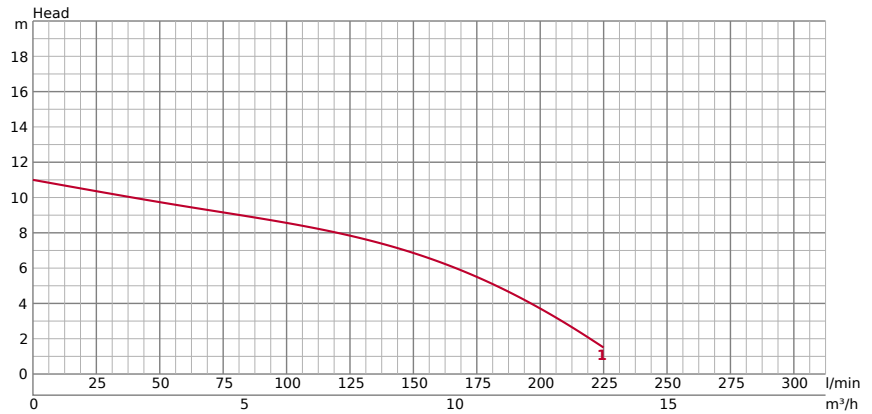


LB-480A



TECHNICAL INFORMATION

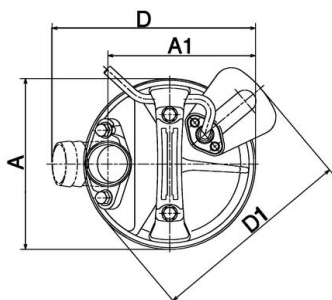
GENERAL	Ø Discharge bore mm	50	PUMPING FLUID	Type of Fluid	Drainage
	Discharge Connection	Threaded flange/Hose coupling		Temperature	0-40°C
PUMP	COMPONENTS		MATERIAL		
	Impeller	Semi-Vortex impeller	Impeller	Urethane rubber	
	Bearings	Shielded ball bearings	Casing	Ethylene propylene rubber	
	Mechanical Seal	Dual mechanical seal in oil bath	Suction Plate	Steelplate+Urethane rubber	
			Pump Body	Steel	
			Mechanical Seal	Silicon Carbide	

TECHNICAL INFORMATION | Motor, Others on the next page →

MOTOR	Motor output kW	0,48	MATERIAL	
	Starting method	condensor	Frame	Aluminium alloy casting
	Type, Poles	Induction motor, 2 poles, IP68	Shaft	Stainless steel EN-X6Cr13
	Insulation	Insulation class E	Cable	H07RN8-F 3C*1.0mm ²
	Phase / Voltage	1-phase / 230V / 110V / 50Hz	Cable Length	10m
	r.p.m.	2610		
	Motor Protector (built-in)	Miniature protector		
	Rated Current	2.90		

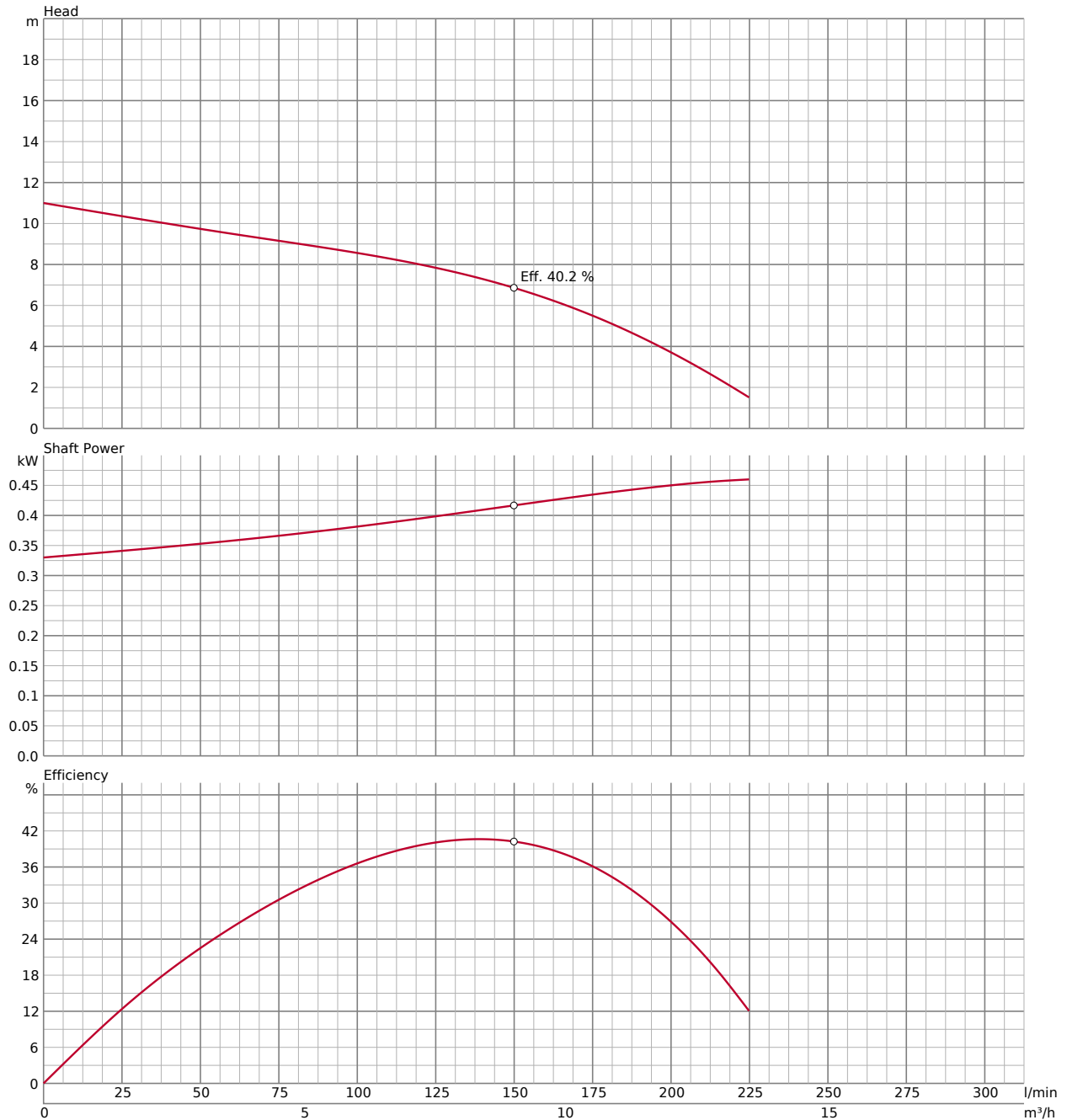
OTHERS	Dry Weight Kg	11
	Pressure Resistance	max. 20m

DIMENSIONS



DIMENSIONS - IN MM					
A	187	D	231	H	228
A1	161	d	50	W1	115
B	353	D1	223		

PERFORMANCE CURVE



In the event of abrasive and corrosive utilization, stronger wear and tear will take place naturally in certain components. In this regard, please pay attention to our website www.tsurumi.eu/english/applications.htm.