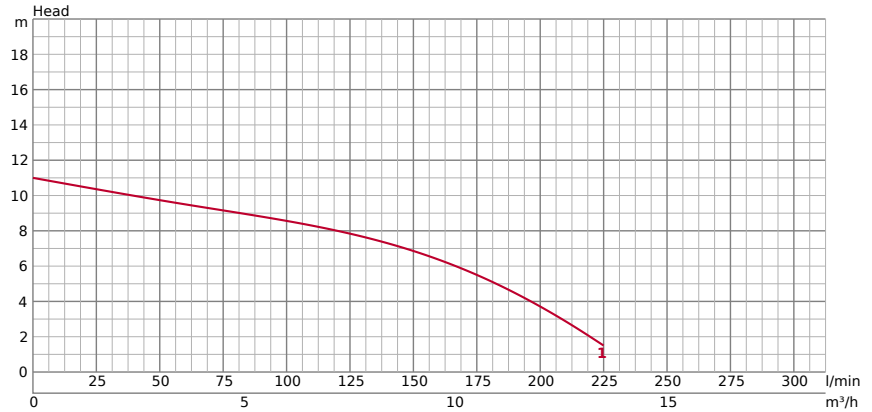


LB-480



TECHNICAL INFORMATION

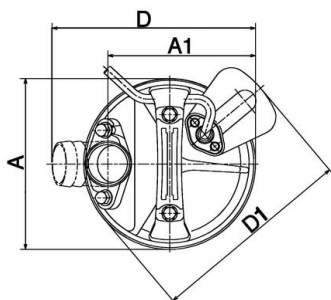
| | | | | | |
|------------------------|-----------------------------|----------------------------------|----------------------|-------------------------------|----------|
| GENERAL | Ø Discharge bore mm | 50 | PUMPING FLUID | Type of Fluid | Drainage |
| | Discharge Connection | Threaded flange/Hose coupling | | Temperature | 0-40°C |
| PUMP | COMPONENTS | | MATERIAL | Max. Solid Handling mm | 6 |
| | Impeller | Semi-Vortex impeller | | Max. dry matter % | 10 |
| | Bearings | Shielded ball bearings | | Max. PH Value | 5-9 |
| | Mechanical Seal | Dual mechanical seal in oil bath | | Max. Capacity l/min | 225 |
| | Impeller | Urethane rubber | | Max. Head m | 11 |
| | Casing | Ethylene propylene rubber | | | |
| | Suction Plate | Steelplate+Urethane rubber | | | |
| | Pump Body | Steel | | | |
| Mechanical Seal | Silicon Carbide | | | | |

TECHNICAL INFORMATION | Motor, Others on the next page →

| MOTOR | Motor output kW | 0,48 | MATERIAL | |
|-------|----------------------------|--------------------------------|--------------|--------------------------------|
| | Starting method | condensor | Frame | Aluminium alloy casting |
| | Type, Poles | Induction motor, 2 poles, IP68 | Shaft | Stainless steel EN-X6Cr13 |
| | Insulation | Insulation class E | Cable | H07RN8-F 3C*1.0mm ² |
| | Phase / Voltage | 1-phase / 230V / 110V / 50Hz | Cable Length | 10m |
| | r.p.m. | 2610 | | |
| | Motor Protector (built-in) | Miniature protector | | |
| | Rated Current | 2.90 | | |

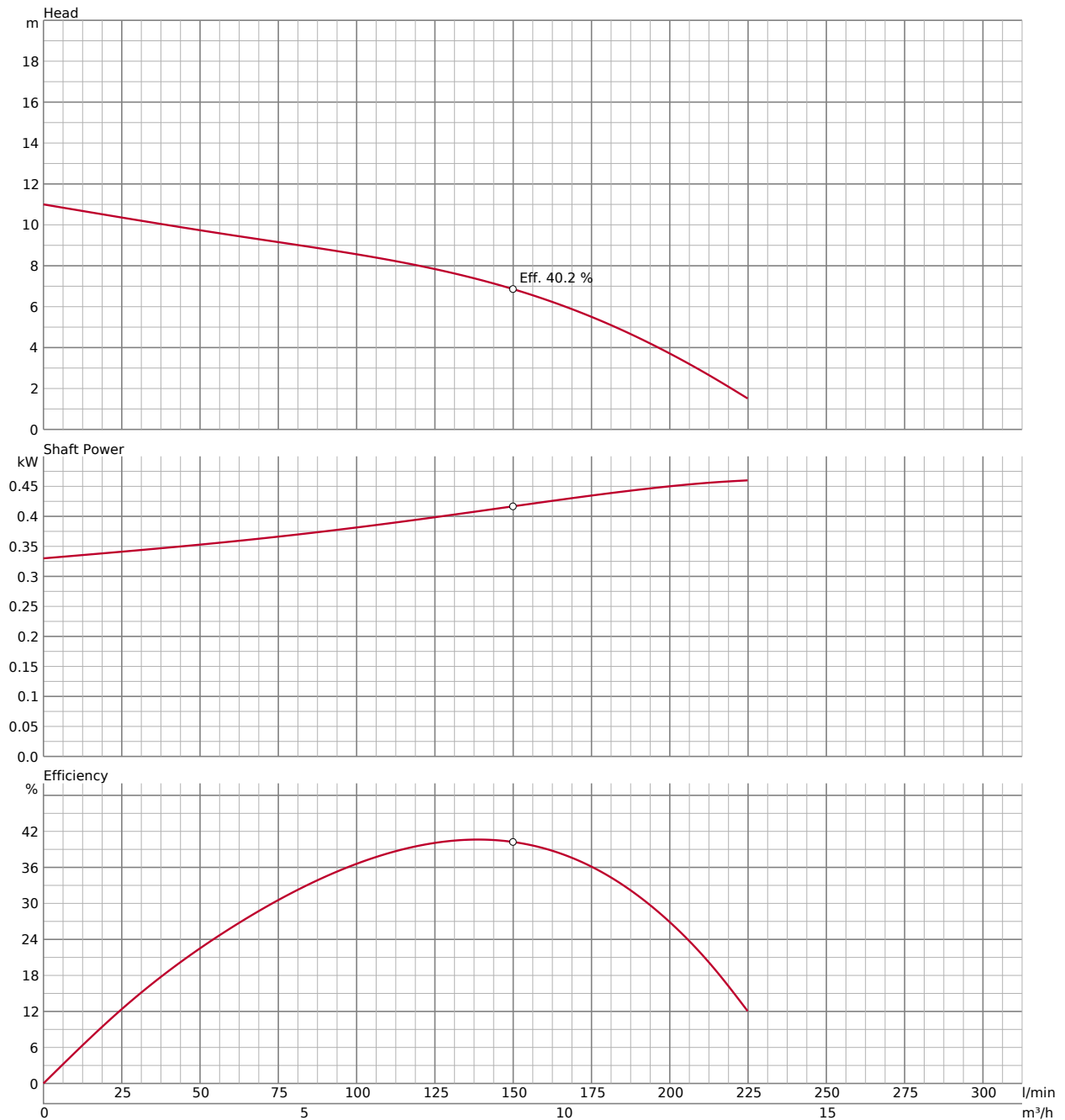
| OTHERS | Dry Weight Kg | 10.40 |
|--------|---------------------|----------|
| | Pressure Resistance | max. 20m |

DIMENSIONS



| DIMENSIONS - IN MM | | | | | |
|--------------------|-----|----------|-----|-----------|-----|
| A | 187 | D | 231 | H | 228 |
| A1 | 161 | d | 50 | W1 | 50 |
| B | 353 | | | | |

PERFORMANCE CURVE



In the event of abrasive and corrosive utilization, stronger wear and tear will take place naturally in certain components. In this regard, please pay attention to our website www.tsurumi.eu/english/applications.htm.