



BER 3-phase
50Hz

Submersible Ejectors

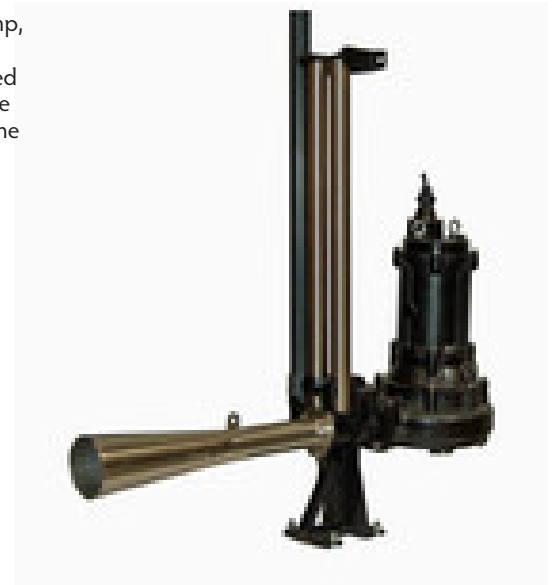
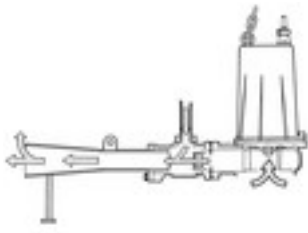
This submersible ejector is composed of a B type pump and a venturi with diffusor trumpet.





The principle of the ejector system

This system is a combination of a submersible pump and a jet pump. By the action of the ejection current of the submersible pump, a self-feeding force is generated, which draws air from the surface of the water through an air inlet pipe. This air is mixed with the water and the mixture is ejected. The churning force caused by this ejection current is remarkably strong, with the result that exceptionally efficient oxygen dissolution is produced.



BER consists of:

- B-Series pump
- Ejector
- Silencer & valve set
- Lifting chain

TOS-BER consists of:

- B-Series pump
- TOS-Ejector
- Silencer & valve set
- Lifting chain

Convection pattern and installation

- Square tank
- Rectangular tank
- Circular tank

